

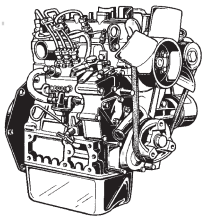
OPERATOR'S MANUAL

ENGLISH

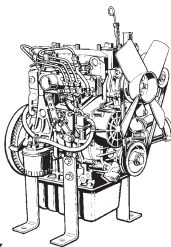
KUBOTA DIESEL ENGINE

MODELS

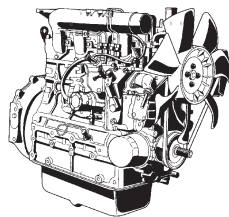
Z482-E · Z602-E · D722-E · D902-E · D1005-E
D1105-E · V1305-E · V1505-E · V1505-TE · D905-EBG
D1005-EBG · D1105-EBG · V1305-EBG · V1505-EBG
D1503-M-E · D1703-M-E · D1803-M-E
V2003-M-E · V2203-M-E · V2003-M-T-E · V2403-M-E
D1503-M-DI-E · D1703-M-DI-E · D1803-M-DI-E
V2203-M-DI-E · V2003-M-DI-T-E · V2403-M-DI-E
V2403-M-DI-T-E · D1703-EBG · V2203-EBG
V2607-DI-T-E · V3307-DI-T-E
V3300-E · V3300-TE · V3300-DI-E · V3300-DI-TE
V3300-EBG · V3300-T-EBG · V3800-DI-E · V3800-DI-TE



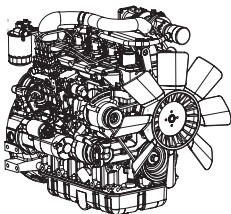
B-1418



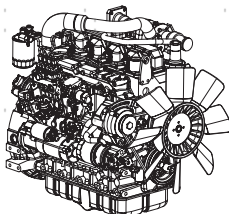
D-2107



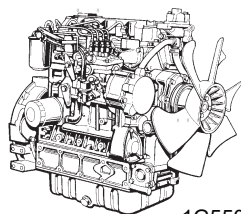
D-2364



1ABAHAAP0220



1ABAHAAP0230



B-1554

1G550-8911-5

READ AND SAVE THIS MANUAL

Kubota

FOREWORD

You are now the proud owner of a KUBOTA Engine. This engine is a product of KUBOTA quality engineering and manufacturing. It is made of fine materials and under a rigid quality control system. It will give you long, satisfactory service. To obtain the best use of your engine, please read this manual carefully. It will help you become familiar with the operation of the engine and contains many helpful hints about engine maintenance. It is KUBOTA's policy to utilize as quickly as possible every advance in our research. The immediate use of new techniques in the manufacture of products may cause some small parts of this manual to be outdated. KUBOTA distributors and dealers will have the most up-to-date information. Please do not hesitate to consult with them.



SAFETY FIRST

This symbol, the industry's "Safety Alert Symbol", is used throughout this manual and on labels on the machine itself to warn of the possibility of personal injury. Read these instructions carefully. It is essential that you read the instructions and safety regulations before you attempt to assemble or use this unit.



DANGER : Indicates an imminently hazardous situation which, if not avoided, will result in death or serious injury.



WARNING : Indicates a potentially hazardous situation which, if not avoided, could result in death or serious injury.



CAUTION : Indicates a potentially hazardous situation which, if not avoided, could result in minor or moderate injury.

IMPORTANT : Indicates that equipment or property damage could result if instructions are not followed.

NOTE : Gives helpful information.

CONTENTS

▲ SAFE OPERATION	1
SERVICING OF THE ENGINE	1
NAMES OF PARTS	3
PRE-OPERATION CHECK.....	7
BREAK-IN	7
DAILY CHECK.....	7
OPERATING THE ENGINE.....	8
STARTING THE ENGINE(NORMAL).....	8
COLD WEATHER STARTING.....	11
STOPPING THE ENGINE	12
CHECKS DURING OPERATION	13
Radiator cooling water(Coolant).....	13
Oil pressure lamp	13
Fuel	14
Color of exhaust	14
Immediately stop the engine if.....	14
REVERSED ENGINE REVOLUTION AND REMEDIES	14
How to tell when the engine starts running backwards	14
Remedies	14
PRECAUTIONS ON GENERATOR-EQUIPPED ENGINE	14
MAINTENANCE	15
SERVICE INTERVALS	16
PERIODIC SERVICE.....	21
FUEL.....	21
Fuel level check and refueling	21
Air bleeding the fuel system	21
Checking the fuel pipes	25
Cleaning the fuel filter pot.....	26
Fuel filter cartridge replacement.....	27
ENGINE OIL	28
Checking level and adding engine oil	28
Changing engine oil.....	30
Replacing the oil filter cartridge	32
RADIATOR	34
Checking coolant level, adding coolant	34
Changing coolant	36
Remedies for quick decrease of coolant	37
Checking radiator hoses and clamp bands	37
Precaution at overheating	37
Cleaning radiator core (outside).....	37
Anti-freeze	38
AIR CLEANER.....	38
For the air cleaner with a dust cup (optional)	39
Evacuator valve	40

CONTENTS

Dust indicator (optional)	40
Evacuator valve	41
Dust indicator (optional)	41
BATTERY	42
Battery charging	42
Direction for long term storage	43
ELECTRIC WIRING	43
FAN BELT	44
Adjusting fan belt tension	44
CARRIAGE AND STORAGE	46
CARRIAGE	46
STORAGE	46
TROUBLESHOOTING	47
SPECIFICATIONS	49
WIRING DIAGRAMS	67



SAFE OPERATION

Careful operation is your best assurance against an accident. Read and understand this section carefully before operating the engine. All operators, no matter how much experience they may have, should read this and other related manuals before operating the engine or any equipment attached to it. It is the owner's obligation to provide all operators with this information and instruct them on safe operation.

Be sure to observe the following for safe operation.

1. OBSERVE SAFETY INSTRUCTIONS

- Read and understand carefully this "OPERATOR'S MANUAL" and "LABELS ON THE ENGINE" before attempting to start and operate the engine.
- Learn how to operate and work safely. Know your equipment and its limitations. Always keep the engine in good condition.
- Before allowing other people to use your engine, explain how to operate and have them read this manual before operation.
- DO NOT modify the engine. UNAUTHORIZED MODIFICATIONS to the engine may impair the function and/or safety and affect engine life. If the engine does not perform properly, consult your local Kubota Engine Distributor first.



1AAACAAAP008B

2. WEAR SAFE CLOTHING AND PERSONAL PROTECTIVE EQUIPMENT (PPE)

- DO NOT wear loose, torn or bulky clothing around the machine that may catch on working controls and projections or into fans, pulleys and other moving parts causing personal injury.
- Use additional safety items-PPE, e.g. hard hat, safety protection, safety goggles, gloves, etc., as appropriate or required.
- DO NOT operate the machine or any equipment attached to it while under the influence of alcohol, medication, or other drugs, or while fatigued.
- DO NOT wear radio or music headphones while operating the engine.



1AEAAAAAP0130

3. CHECK BEFORE STARTING & OPERATING THE ENGINE

- Be sure to inspect the engine before operation. Do not operate the engine if there is something wrong with it. Repair it immediately.
- Ensure all guards and shields are in place before operating the engine. Replace any that are damaged or missing.
- Check to see that you and others are a safe distance from the engine before starting.
- Always keep the engine at least 3 feet (1 meter) away from buildings and other facilities.
- DO NOT allow children or livestock to approach the machine while the engine is running.
- DO NOT start the engine by shorting across starter terminals. The machine may start in gear and move. Do not bypass or defeat any safety devices.



1BAABADAP0010

4. KEEP THE ENGINE AND SURROUNDINGS CLEAN

- Be sure to stop the engine before cleaning.
- Keep the engine clean and free of accumulated dirt, grease and trash to avoid a fire. Store flammable fluids in proper containers and cabinets away from sparks and heat.
- Check for and repair leaks immediately.
- DO NOT stop the engine without idling; Allow the engine to cool down, first. Keep the engine idling for about 5 minutes before stopping unless there is a safety problem that requires immediate shut down.



1AEAAAAAP0120

5. SAFE HANDLING OF FUEL AND LUBRICANTS -KEEP AWAY FROM FIRE

- Always stop the engine before refueling and/or lubricating.
- DO NOT smoke or allow flames or sparks in your work area. Fuel is extremely flammable and explosive under certain conditions.
- Refuel at a well ventilated and open place. When fuel and/or lubricants are spilled, refuel after letting the engine cool down.
- DO NOT mix gasoline or alcohol with diesel fuel. The mixture can cause a fire or severe engine damage.
- Do not use unapproved containers e.g. buckets, bottles, jars. Use approved fuel storage containers and dispensers.



1AAACAAAP001A

6. EXHAUST GASES & FIRE PREVENTION

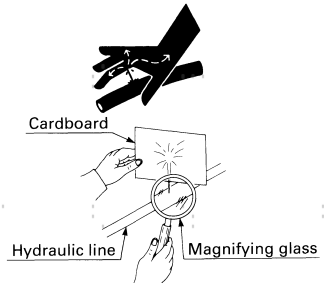
- Engine exhaust fumes can be very harmful if allowed to accumulate. Be sure to run the engine in a well ventilated location and where there are no people or livestock near the engine.
- The exhaust gas from the muffler is very hot. To prevent a fire, do not expose dry grass, mowed grass, oil or any other combustible materials to exhaust gas. Keep the engine and muffler clean at all times.
- To avoid a fire, be alert for leaks of flammable substances from hoses and lines. Be sure to check for leaks from hoses or pipes, such as fuel and hydraulic fluid by following the maintenance check list.
- To avoid a fire, do not short across power cables and wires. Check to see that all power cables and wirings are in good condition. Keep all electrical connections clean. Bare wire or frayed insulation can cause a dangerous electrical shock and personal injury.



1AAACAAAP011A

7. ESCAPING FLUID

- Relieve all pressure in the air, the oil and the cooling systems before disconnecting any lines, fittings or related items.
- Be cautious of possible pressure relief when disconnecting any device from a pressurized system that utilizes pressure. DO NOT check for pressure leaks with your hand. High pressure oil or fuel can cause personal injury.
- Escaping fluid under pressure has sufficient force to penetrate skin causing serious personal injury.
- Fluid escaping from pinholes may be invisible. Use a piece of cardboard or wood to search for suspected leaks: do not use hands and body. Use safety goggles or other eye protection when checking for leaks.
- If injured by escaping fluid, see a medical doctor immediately. This fluid can produce gangrene or severe allergic reaction.



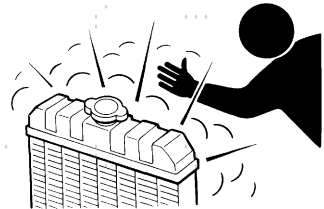
1ABAAAAAP1200

8. CAUTIONS AGAINST BURNS & BATTERY EXPLOSION

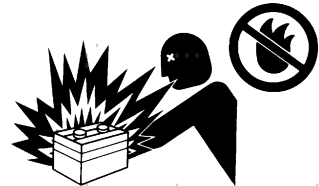
- To avoid burns, be cautious of hot components, e.g. muffler, muffler cover, radiator, hoses, engine body, coolants, engine oil, etc. during operation and after the engine has been shut off.
- DO NOT remove the radiator cap while the engine is running or immediately after stopping. Otherwise hot water will spout out from the radiator. Wait until the radiator is completely cool to the touch before removing the cap. Wear safety goggles.
- Be sure to close the coolant drain valve, secure the pressure cap, and fasten the pipe band before operating. If these parts are taken off, or loosened, it will result in serious personal injury.
- The battery presents an explosive hazard. When the battery is being charged, hydrogen and oxygen gases are extremely explosive.
- DO NOT use or charge the battery if its fluid level is below the LOWER mark. Otherwise, the component parts may deteriorate earlier than expected, which may shorten the service life or cause an explosion. Immediately, add distilled water until the fluid level is between the UPPER and LOWER marks.
- Keep sparks and open flames away from the battery, especially during charging. DO NOT strike a match near the battery.
- DO NOT check the battery charge by placing a metal object across the terminals. Use a voltmeter or hydrometer.
- DO NOT charge a frozen battery. There is a risk of explosion. When frozen, warm the battery up to at least 16° C (61° F).



1AEABAAAP0080



1AABAAAP0230



1ARAEAAAP0520

9. KEEP HANDS AND BODY AWAY FROM ROTATING PARTS

- Be sure to stop the engine before checking or adjusting the belt tension and cooling fan.
- Keep your hands and body away from rotating parts, such as the cooling fan, V-belt, fan drive pulley or flywheel. Contact with rotating parts can cause severe personal injury.
- DO NOT run the engine without safety guards. Install safety guards securely before operation.



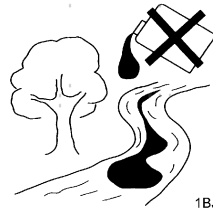
1ABAAAAAP1470

10. ANTI-FREEZE & DISPOSAL OF FLUIDS

- Anti-freeze contains poison. Wear rubber gloves to avoid personal injury. In case of contact with skin, wash it off immediately.
- DO NOT mix different types of Anti-freeze. The mixture can produce a chemical reaction causing harmful substances. Use approved or genuine KUBOTA Anti-freeze.
- Be mindful of the environment and the ecology. Before draining any fluids, determine the correct way to dispose of them. Observe the relevant environmental protection regulations when disposing of oil, fuel, coolant, brake fluid, filters and batteries.
- When draining fluids from the engine, place a suitable container underneath the engine body.
- DO NOT pour waste onto the ground, down a drain, or into any water source. Dispose of waste fluids according to environmental regulations.



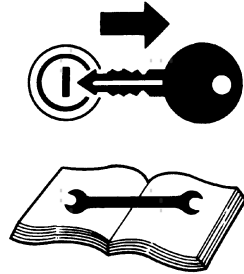
1BJABAAAP0190



1BJABAAAP0180

11. CONDUCTING SAFETY CHECKS & MAINTENANCE

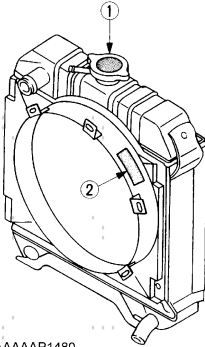
- When inspecting the engine or servicing, place the engine on a large flat surface. DO NOT work on anything that is supported ONLY by lift jacks or a hoist. Always use blocks or the correct stands to support the engine before servicing.
- Disconnect the battery from the engine before conducting service. Put a "DO NOT OPERATE!" tag on the key switch to avoid accidental starting.
- To avoid sparks from an accidental short circuit always disconnect the battery's ground cable (-) first and reconnect it last.
- Be sure to stop the engine and remove the key when conducting daily and periodic maintenance, service and cleaning.
- Check or conduct maintenance after the engine, coolant, muffler, or muffler cover have cooled off completely.
- Always use the appropriate tools and fixtures. Verify that they are in good condition before performing any service work. Make sure you understand how to use them before service.
- Use ONLY correct engine barring techniques for manually rotating the engine. DO NOT attempt to rotate the engine by pulling or prying on the cooling fan and V-belt. This practice can cause serious personal injury or premature damage to the cooling fan and belt.
- Replace fuel pipes and lubricant pipes with their hose clamps every 2 years or earlier whether they are damaged or not. They are made of rubber and age gradually.
- When servicing is performed together by two or more persons, take care to perform all work safely.
- Keep a first aid kit and fire extinguisher handy at all times.



1BJABAAAP0200

12. WARNING AND CAUTION LABELS

- ① Part No.19077-8724-1 or 16667-8724-1
(55mm in diameter) (37mm in diameter)



1ABAAAAAP1480



1ABAAAAAP1490

- ② Part No.TA040-4957-1
Do not get your hands close to engine fan and fan belt.



1ABAAAAAP1500

13. CARE OF WARNING AND CAUTION LABELS

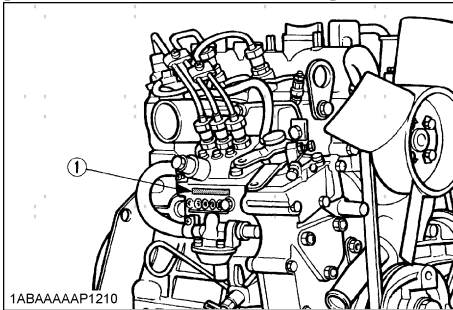
1. Keep warning and caution labels clean and free from obstructing material.
2. Clean warning and caution labels with soap and water, dry with a soft cloth.
3. Replace damaged or missing warning and caution labels with new labels from your local KUBOTA dealer.
4. If a component with warning and caution label(s) affixed is replaced with a new part, make sure the new label(s) is (are) attached in the same location(s) as the replaced component.
5. Mount new warning and caution labels by applying to a clean dry surface and pressing any bubbles to the outside edge.

SERVICING OF THE ENGINE

Your dealer is interested in your new engine and has the desire to help you get the most value from it. After reading this manual thoroughly, you will find that you can do some of the regular maintenance yourself. However, when in need of parts or major service, be sure to see your KUBOTA dealer. For service, contact the KUBOTA Dealership from which you purchased your engine or your local KUBOTA dealer. When in need of parts, be prepared to give your dealer the engine serial number. Locate the serial number now and record them in the space provided.

	Type	Serial No.
Engine		
Date of Purchase		
Name of Dealer		
(To be filled in by purchaser)		

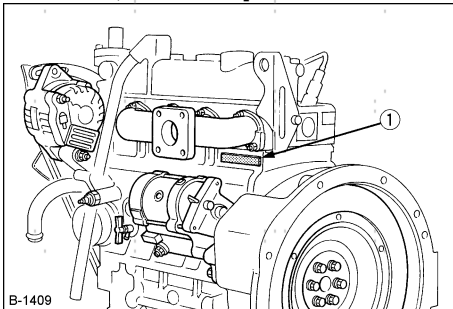
[Z482-E, Z602-E, D722-E, D902-E]



1ABAAAAAP1210

(1) Engine serial number

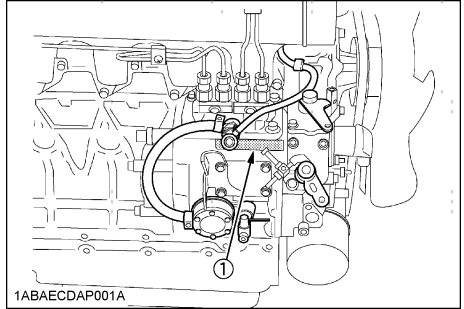
[D1005-E, D1105-E, V1305-E, V1505-E, V1505-TE, D905-EBG, D1005-EBG, D1105-EBG, V1305-EBG, V1505-EBG]



B-1409

(1) Engine serial number

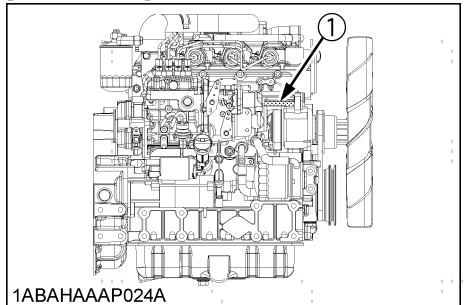
[D1503-M-E, D1703-M-E, D1803-M-E, V2003-M-E, V2203-M-E, V2003-M-T-E, V2403-M-E, D1503-M-DI-E, D1703-M-DI-E, D1803-M-DI-E, V2203-M-DI-E, V2003-M-DI-T-E, V2403-M-DI-E, V2403-M-DI-T-E, D1703-EBG, V2203-EBG]



1ABAECDAPO01A

(1) Engine serial number

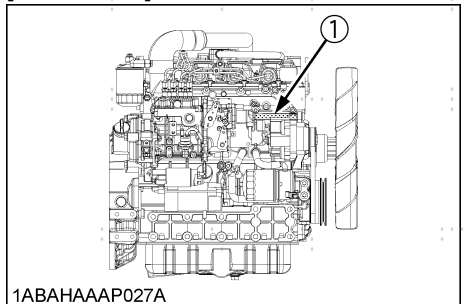
[V2607-DI-T-E]



1ABAHAAAP024A

(1) Engine serial number

[V3307-DI-T-E]

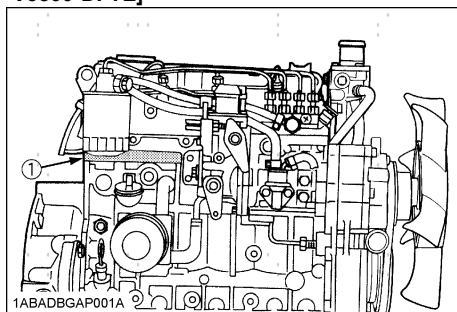


1ABAHAAAP027A

(1) Engine serial number

ENGLISH

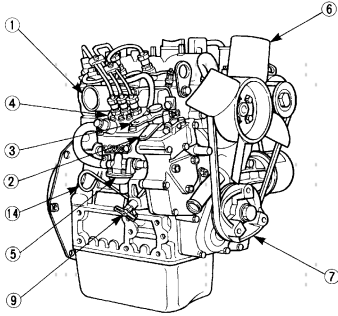
[V3300-E, V3300-TE, V3300-DI-E, V3300-DI-TE,
V3300-EBG, V3300-T-EBG, V3800-DI-E,
V3800-DI-TE]



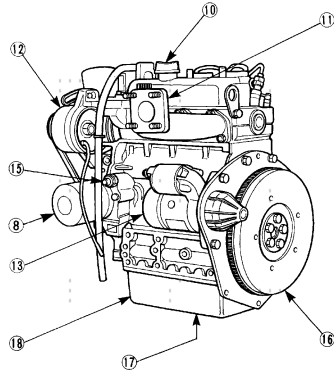
(1) Engine serial number

NAMES OF PARTS

[Z482-E, Z602-E, D722-E, D902-E]

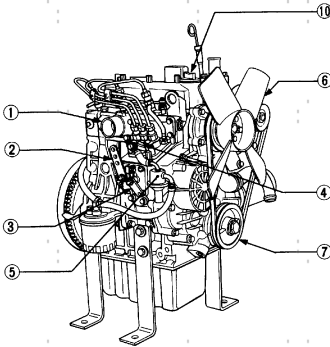


1ABAAAAAP1220

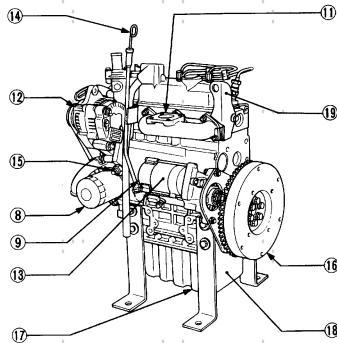


ENGLISH

[D1005-E, D1105-E, V1305-E, V1505-E, V1505-TE]



D-2106

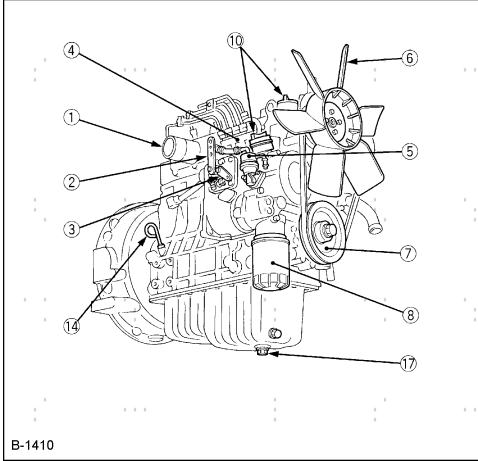


D-2105

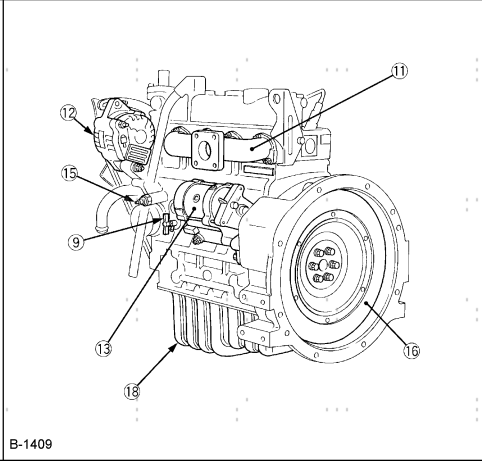
- (1) Intake manifold
- (2) Speed control lever
- (3) Engine stop lever
- (4) Injection pump
- (5) Fuel feed pump
- (6) Cooling fan
- (7) Fan drive pulley
- (8) Oil filter cartridge
- (9) Water drain cock

- (10) Oil filler plug
- (11) Exhaust manifold
- (12) Alternator
- (13) Starter
- (14) Oil level gauge
- (15) Oil pressure switch
- (16) Flywheel
- (17) Oil drain plug
- (18) Oil pan
- (19) Engine hook

[D905-EBG, D1005-EBG, D1105-EBG, V1305-EBG, V1505-EBG]

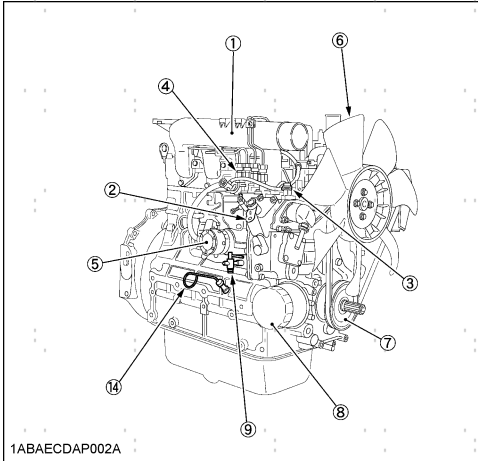


B-1410

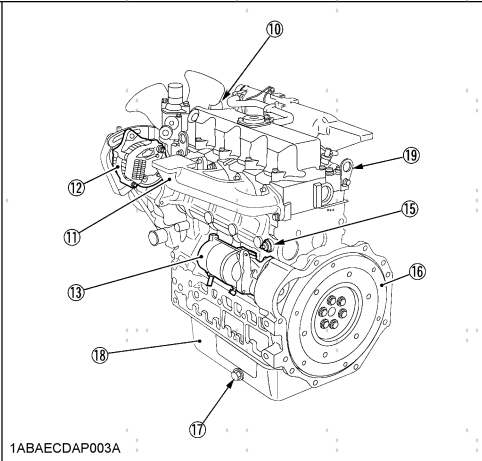


B-1409

[D1503-M-E, D1703-M-E, D1803-M-E, V2003-M-E, V2203-M-E, V2003-M-T-E, V2403-M-E, D1503-M-DI-E, D1703-M-DI-E, D1803-M-DI-E, V2203-M-DI-E, V2003-M-DI-T-E, V2403-M-DI-E, V2403-M-DI-T-E, D1703-EBG, V2203-EBG]



1ABAECDAPO02A

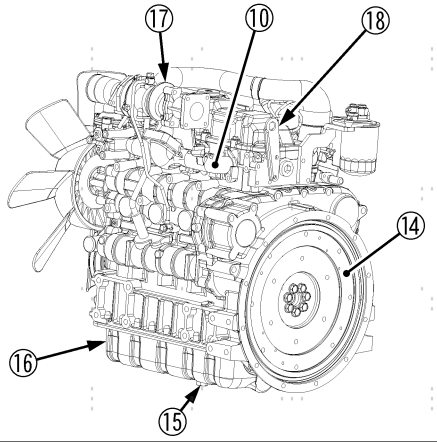
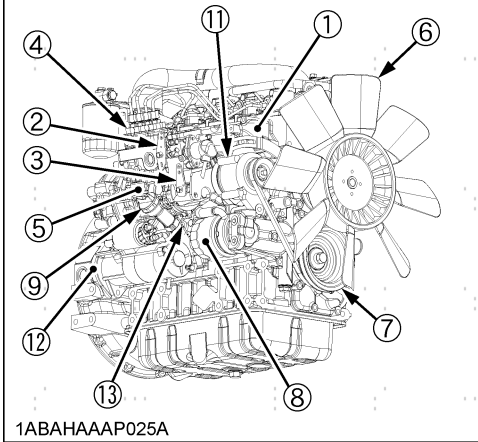


1ABAECDAPO03A

- (1) Intake manifold
- (2) Speed control lever
- (3) Engine stop lever
- (4) Injection pump
- (5) Fuel feed pump
- (6) Cooling fan
- (7) Fan drive pulley
- (8) Oil filter cartridge
- (9) Water drain cock

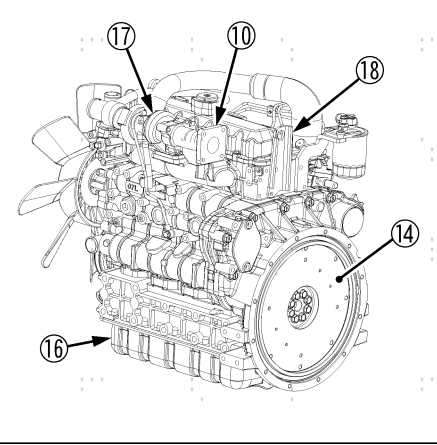
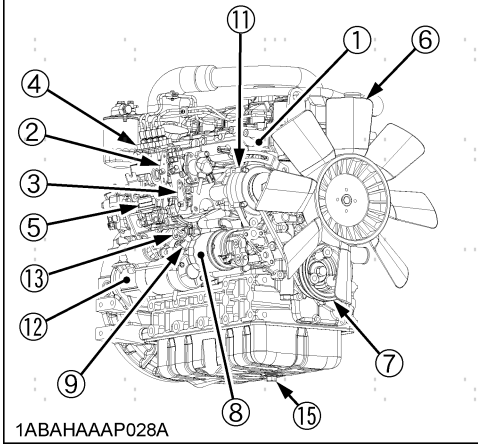
- (10) Oil filler plug
- (11) Exhaust manifold
- (12) Alternator
- (13) Starter
- (14) Oil level gauge
- (15) Oil pressure switch
- (16) Flywheel
- (17) Oil drain plug
- (18) Oil pan
- (19) Engine hook

[V2607-DI-T-E]



ENGLISH

[V3307-DI-T-E]

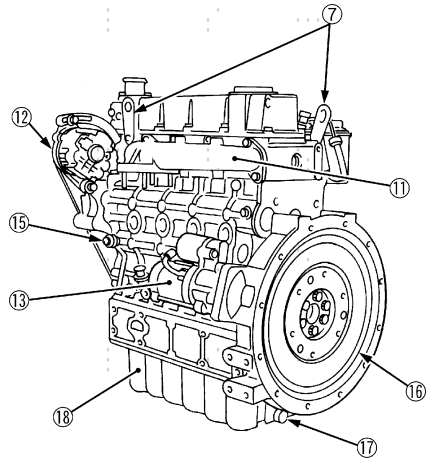
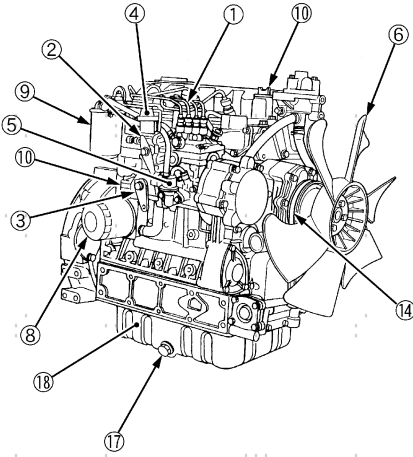


- (1) Intake manifold
- (2) Speed control lever
- (3) Engine stop lever
- (4) Injection pump
- (5) Fuel feed pump
- (6) Cooling fan
- (7) Fan drive pulley
- (8) Oil filter cartridge
- (9) Oil filler plug
- (10) Exhaust manifold

- (11) Alternator
- (12) Starter
- (13) Oil level gauge
- (14) Flywheel
- (15) Oil drain plug
- (16) Oil pan
- (17) Turbo charger
- (18) Engine hook

[V3300-E, V3300-TE, V3300-DI-E, V3300-DI-TE, V3300-EBG, V3300-T-EBG, V3800-DI-E, V3800-DI-TE]

ENGLISH



1ABADBGAP002A

- (1) Intake manifold
- (2) Speed control lever
- (3) Engine stop lever
- (4) Shut off solenoid
- (5) Fuel feed pump
- (6) Cooling fan
- (7) Engine hook
- (8) Oil filter cartridge
- (9) Fuel filter
- (10) Oil filler plug

- (11) Exhaust manifold
- (12) Alternator
- (13) Starter
- (14) Fan belt
- (15) Oil pressure switch
- (16) Flywheel
- (17) Oil drain plug
- (18) Oil pan

PRE-OPERATION CHECK

BREAK-IN

During the engine break-in period, observe the following by all means:

1. Change engine oil and oil filter cartridge after the first 50 hours of operation. (See "ENGINE OIL" in "PERIODIC SERVICE" section.)
2. When ambient temperature is low, operate the machine after the engine has been completely warmed up.

DAILY CHECK

To prevent trouble from occurring, it is important to know the conditions of the engine well. Check it before starting.



WARNING

To avoid personal injury or death:

- Be sure to install shields and safeguards attached to the engine when operating.
- Stop the engine at a flat and wide space when checking.
- Keep dust or fuel away from the battery, wiring, muffler and engine to prevent a fire. Check and clear them before operating everyday. Pay attention to the heat of the exhaust pipe or exhaust gas so that it can not ignite trash.

Item		Ref. page
1. Parts which had trouble in previous operation		-
2. By walking around the machine	(1) Oil or water leaks	28 to 38
	(2) Engine oil level and contamination	28
	(3) Amount of fuel	21
	(4) Amount of coolant	34 to 38
	(5) Dust in air cleaner dust cup	38
	(6) Damaged parts and loosened bolts and nuts	-
3. By inserting the key into the starter switch	(1) Proper functions of meters and pilot lamps; no stains on these parts	-
	(2) Proper function of glow lamp timer	-
4. By starting the engine	(1) Color of exhaust fumes	14
	(2) Unusual engine noise	14

OPERATING THE ENGINE

STARTING THE ENGINE(NORMAL)



WARNING

To avoid personal injury or death:

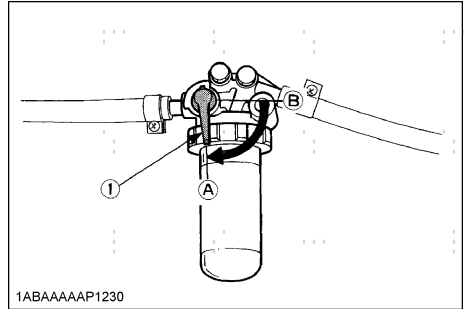
- Do not allow children to approach the machine while the engine is running.
- Be sure to install the machine on which the engine is installed, on a flat place.
- Do not run the engine on gradients.
- Do not run the engine in an enclosed area. Exhaust gas can cause air pollution and exhaust gas poisoning.
- Keep your hands away from rotating parts (such as fan, pulley, belt, flywheel etc.) during operation.
- Do not operate the machine while under the influence of alcohol or drugs.
- Do not wear loose, torn or bulky clothing around the machine. It may catch on moving parts or controls, leading to the risk of accident. Use additional safety items, e.g. hard hat, safety boots or shoes, eye and hearing protection, gloves, etc., as appropriate or required.
- Do not wear radio or music headphones while operating engine.
- Check to see if it is safe around the engine before starting.
- Reinstall safeguards and shields securely and clear all maintenance tools when starting the engine after maintenance.

IMPORTANT :

- Do not use ether or any starting fluid for starting the engine, or a severe damage will occur.
- When starting the engine after a long storage (of more than 3 months), first set the stop lever to the "STOP" position and then activate the starter for about 10 seconds to allow oil to reach every engine part.

1. Set the fuel lever to "ON".

[Z482-E, Z602-E, D722-E, D902-E]



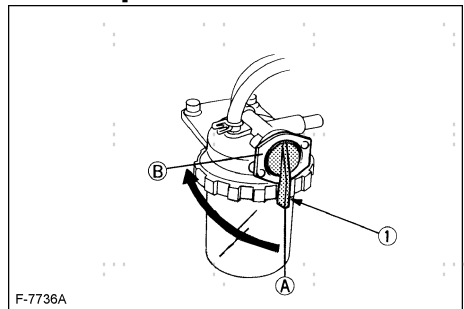
1ABAAAAAP1230

(1) Fuel lever

(A) "ON"

(B) "OFF"

[D1005-E, D1105-E, V1305-E, V1505-E, V1505-TE, D905-EBG, D1005-EBG, D1105-EBG, V1305-EBG, V1505-EBG]



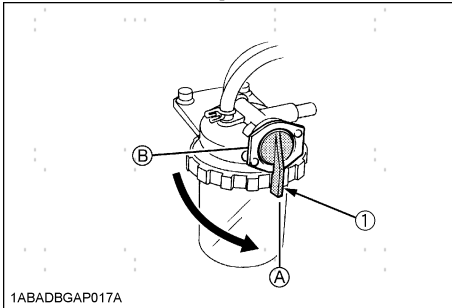
F-7736A

(1) Fuel lever

(A) "ON"

(B) "OFF"

[V2607-DI-T-E, V3307-DI-T-E, V3300-E, V3300-TE, V3300-DI-E, V3300-DI-TE, V3300-EBG, V3300-T-EBG, V3800-DI-E, V3800-DI-TE]

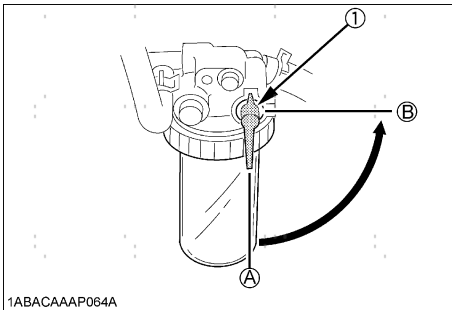


1ABADB GAP017A

- (1) Fuel lever (A) "ON" (B) "OFF"

[D1503-M-E, D1703-M-E, D1803-M-E, V2003-M-E, V2203-M-E, V2003-M-T-E, V2403-M-E, D1503-M-DI-E, D1703-M-DI-E, D1803-M-DI-E, V2203-M-DI-E, V2003-M-DI-T-E, V2403-M-DI-E, V2403-M-DI-T-E, D1703-EBG, V2203-EBG]

1. Set the water separator lever to the "ON" position.

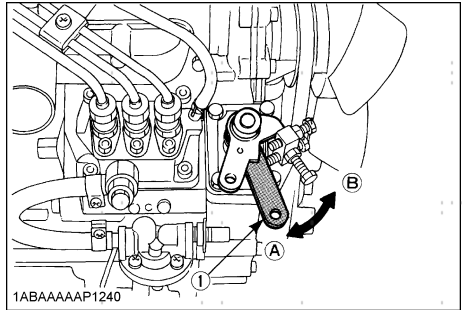


1ABACAAAP064A

- (1) Water separator lever (A) "ON" (B) "OFF"

2. Place the engine stop lever to the "START" position.
3. Place the speed control lever at more than half "OPERATION".

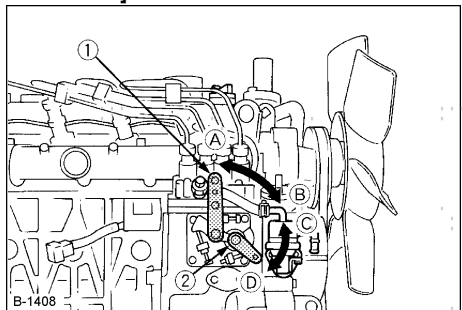
[Z482-E, Z602-E, D722-E, D902-E]



1ABAAAAAP1240

- (1) Speed control lever (A) "OPERATION" (B) "IDLING"

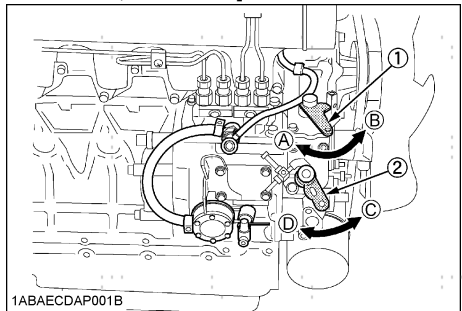
[D1005-E, D1105-E, V1305-E, V1505-E, V1505-TE, D905-EBG, D1005-EBG, D1105-EBG, V1305-EBG, V1505-EBG]



B-1408

- (1) Speed control lever (A) "IDLING" (B) "OPERATION" (C) "START" (D) "STOP"

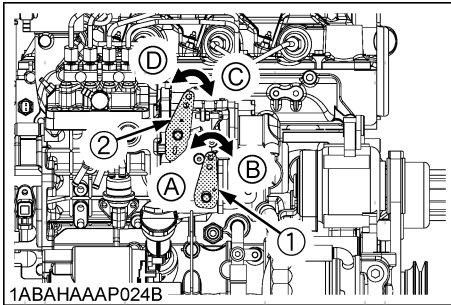
[D1503-M-E, D1703-M-E, D1803-M-E, V2003-M-E, V2203-M-E, V2003-M-T-E, V2403-M-E, D1503-M-DI-E, D1703-M-DI-E, D1803-M-DI-E, V2203-M-DI-E, V2003-M-DI-T-E, V2403-M-DI-E, V2403-M-DI-T-E, D1703-EBG, V2203-EBG]



1ABAECDAP001B

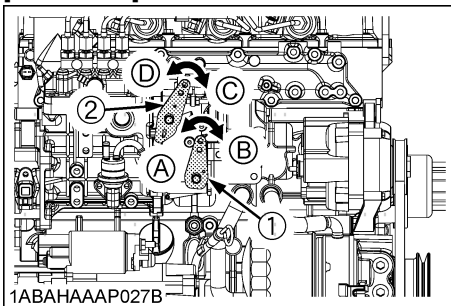
- (1) Engine stop lever (A) "STOP" (B) "START" (C) "IDLING" (D) "OPERATION"

[V2607-DI-T-E]



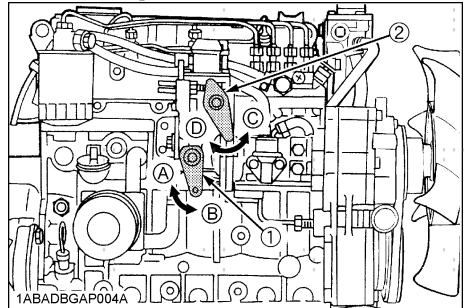
- (1) Engine stop lever
- (2) Speed control lever
- (A) "STOP"
- (B) "START"
- (C) "IDLING"
- (D) "OPERATION"

[V3307-DI-T-E]



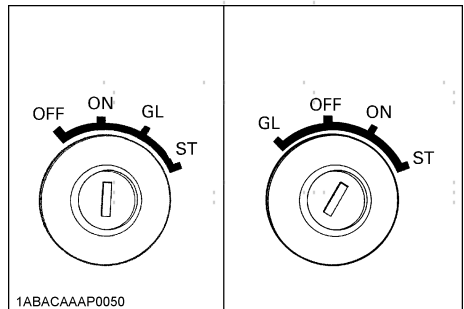
- (1) Engine stop lever
- (2) Speed control lever
- (A) "STOP"
- (B) "START"
- (C) "IDLING"
- (D) "OPERATION"

[V3300-E, V3300-TE, V3300-DI-E, V3300-DI-TE, V3300-EBG, V3300-T-EBG, V3800-DI-E, V3800-DI-TE]



- (1) Engine stop lever
- (2) Speed control lever
- (A) "STOP"
- (B) "START"
- (C) "IDLING"
- (D) "OPERATION"

4. Insert the key into the key switch and turn it "ON".



"OFF" SWITCHED OFF
"ON" OPERATION

"GL" PREHEATING
"ST" STARTING

5. Turn the starter switch to the "PREHEATING" position to allow the glow lamp to redden.
6. Turn the key to the "STARTING" position and the engine should start. Release the key immediately when the engine starts.
7. Check to see that the oil pressure lamp and charge lamp are off. If the lamps are still on, immediately stop the engine, and determine the cause.
(See "CHECKS DURING OPERATION" in "OPERATING THE ENGINE" section.)

NOTE :

- If the oil pressure lamp should be still on, immediately stop the engine and check;
 - if there is enough engine oil.
 - if the engine oil has dirt in it.
 - if the wiring is faulty.

8. Warm up the engine at medium speed without load.

IMPORTANT :

- If the glow lamp should redden too quickly or too slowly, immediately ask your KUBOTA dealer to check and repair it.
- If the engine does not catch or start at 10 seconds after the starter switch is set at "STARTING" position, wait for another 30 seconds and then begin the engine starting sequence again. Do not allow the starter motor to run continuously for more than 20 seconds.

COLD WEATHER STARTING

If the ambient temperature is below* -5°C(23°F) and the engine is very cold, start it in the following manner: Take steps (1) through (4) before.

5. Turn the key to the "PREHEATING" position and keep it there for a certain period mentioned below.

IMPORTANT :

- Shown below are the standard preheating times for various temperatures. This operation, however, is not required, when the engine is warmed up.

Ambient temperature	Preheating time		
	Ordinary heat type	V3300-DI-E V3300-DI-TE V3800-DI-E V3800-DI-TE	With glow lamp timer
Above 10°C (50°F)	NO NEED		
10°C (50°F) to -5°C (23°F)	Approx. 5 seconds	Approx. 15 seconds	See NOTE:
*Below -5°C (23°F)	Approx. 10 seconds	Approx. 30 seconds	
Limit of continuous use	20 seconds	30 seconds	

NOTE :

- In case of installing standard glow lamp, glow lamp goes off after about 6 seconds, when the starter switch key is turned to the "PREHEATING" position. However if necessary, keep the starter switch key at the "PREHEATING" position for longer time, according to the left recommendation.

6. Turn the key to the "STARTING" position and the engine should start.

(If the engine fails to start after 10 seconds, turn off the key for 5 to 30 seconds. Then repeat steps (5) and (6).)

IMPORTANT :

- Do not allow the starter motor to run continuously for more than 20 seconds.
- Be sure to warm up the engine, not only in winter, but also in warmer seasons. An insufficiently warmed-up engine can shorten its service life.
- When there is fear of temperature dropping below -15°C (5°F) detach the battery from the machine, and keep it indoors in a safe area, to be reinstalled just before the next operation.

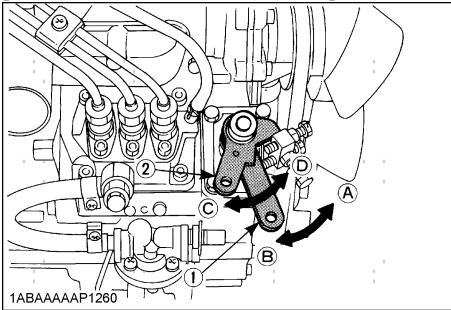
STOPPING THE ENGINE

1. Return the speed control lever to low idle, and run the engine under idling conditions.
2. Set the engine stop lever to "STOP" position.
3. With the starter switch placed at "OFF" position, remove the key. (Be sure to return the stop lever as it was after stopping the engine, and get ready for the next starting.)

IMPORTANT :

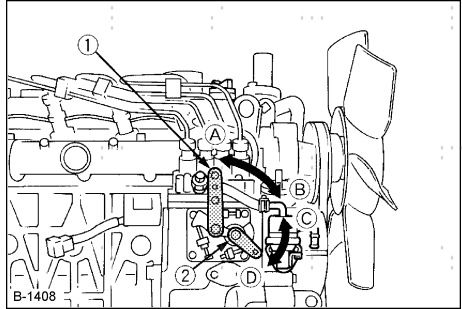
- If equipped with a turbo-charger, allow the engine to idle for 5 minutes before shutting it off after a full load operation. Failure to do so may lead to turbo-charger trouble.

[Z482-E, Z602-E, D722-E, D902-E]



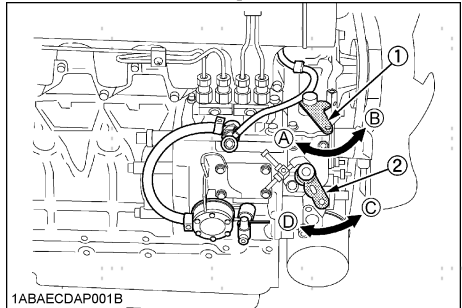
- | | |
|-------------------------|-----------------|
| (1) Speed control lever | (A) "IDLING" |
| (2) Engine stop lever | (B) "OPERATION" |
| | (C) "START" |
| | (D) "STOP" |

[D1005-E, D1105-E, V1305-E, V1505-E, V1505-TE, D905-EBG, D1005-EBG, D1105-EBG, V1305-EBG, V1505-EBG]

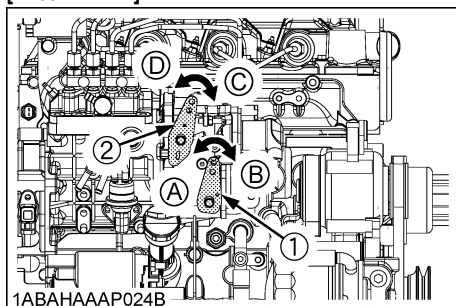


- | | |
|-------------------------|-----------------|
| (1) Speed control lever | (A) "IDLING" |
| (2) Engine stop lever | (B) "OPERATION" |
| | (C) "START" |
| | (D) "STOP" |

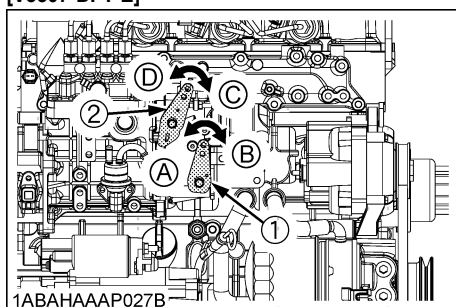
[D1503-M-E, D1703-M-E, D1803-M-E, V2003-M-E, V2203-M-E, V2003-M-T-E, V2403-M-E, D1503-M-DI-E, D1703-M-DI-E, D1803-M-DI-E, V2203-M-DI-E, V2003-M-DI-T-E, V2403-M-DI-E, V2403-M-DI-T-E, D1703-EBG, V2203-EBG]



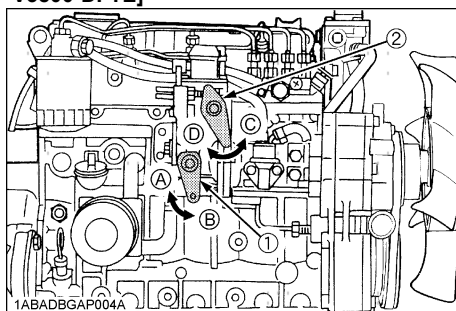
- | | |
|-------------------------|-----------------|
| (1) Engine stop lever | (A) "STOP" |
| (2) Speed control lever | (B) "START" |
| | (C) "IDLING" |
| | (D) "OPERATION" |

[V2607-DI-T-E]

- (1) Engine stop lever
 (2) Speed control lever
- (A) "STOP"
 (B) "START"
 (C) "IDLING"
 (D) "OPERATION"

[V3307-DI-T-E]

- (1) Engine stop lever
 (2) Speed control lever
- (A) "STOP"
 (B) "START"
 (C) "IDLING"
 (D) "OPERATION"

**[V3300-E, V3300-TE, V3300-DI-E, V3300-DI-TE,
 V3300-EBG, V3300-T-EBG, V3800-DI-E,
 V3800-DI-TE]**


- (1) Engine stop lever
 (2) Speed control lever
- (A) "STOP"
 (B) "START"
 (C) "IDLING"
 (D) "OPERATION"

CHECKS DURING OPERATION

While running, make the following checks to see that all parts work well.

■ Radiator cooling water(Coolant)
**WARNING**

To avoid personal injury or death:

- Do not remove radiator cap until coolant temperature is well below its boiling point. Then loosen cap slightly to the stop position, to relieve any pressure, before removing cap completely.

If the coolant temperature warning lamp lights up or if steam or coolant does not stop squirting from the radiator overflow pipe, turn off the load and **keep the engine idling (COOLING-DOWN) for at least 5 minutes** to let it cool down gradually. Then stop the engine and take the following inspection and servicing.

1. Check to see if the coolant runs short or if there is any coolant leak;
2. Check to see if there is any obstacle around the cooling air inlet or outlet;
3. Check to see if there is any dirt or dust between radiator fins and tube;
4. Check to see if the fan belt is too loose;
5. Check to see if radiator water pipe is clogged; and
6. Check to see if anti-freeze is mixed to a 50/50% mix of water and anti-freeze.

■ Oil pressure lamp

The lamp lights up to warn the operator that the engine oil pressure has dropped below the prescribed level. If this should happen during operation or should not go off even after the engine is accelerated more than 1000rpm, immediately stop the engine and check the following:

1. Engine oil level (See "ENGINE OIL" in "PERIODIC SERVICE" section.)
2. Lubricant system (See "ENGINE OIL" in "PERIODIC SERVICE" section.)

■ Fuel



WARNING

To avoid personal injury or death:

- Fluid escaping from pinholes may be invisible. Do not use hands to search for suspected leaks; Use a piece of cardboard or wood, instead. If injured by escaping fluid, see a medical doctor at once. This fluid can produce gangrene or a severe allergic reaction.
- Check any leaks from fuel pipes or fuel injection pipes. Use eye protection when checking for leaks.

Be careful not to empty the fuel tank. Otherwise air may enter the fuel system, requiring fuel system bleeding. (See "FUEL" in "PERIODIC SERVICE" Section.)

■ Color of exhaust

While the engine is run within the rated output range:

- The color of exhaust remains colorless.
- If the output slightly exceeds the rated level, exhaust may become a little colored with the output level kept constant.
- If the engine is run continuously with dark exhaust emission, it may lead to trouble.

■ Immediately stop the engine if;

- The engine suddenly slows down or accelerates.
- Unusual noises are suddenly heard.
- Exhaust fumes suddenly become very dark.
- The oil pressure lamp or the water temperature alarm lamp lights up.

REVERSED ENGINE REVOLUTION AND REMEDIES



WARNING

To avoid personal injury or death:

- Reversed engine operation can make the machine reverse and run it backwards. It may lead to serious trouble.
- Reversed engine operation may make exhaust gas gush out into the intake side and ignite the air cleaner; it could catch fire.

Reversed engine revolution must be stopped immediately since engine oil circulation is cut quickly, leading to serious trouble.

■ How to tell when the engine starts running backwards

1. Lubricating oil pressure drops sharply. Oil pressure warning light, if used, will light.
2. Since the intake and exhaust sides are reversed, the sound of the engine changes, and exhaust gas will come out of the air cleaner.
3. A louder knocking sound will be heard when the engine starts running backwards.

■ Remedies

1. Immediately set the engine stop lever to "STOP" position to stop the engine.
2. After stopping the engine, check the air cleaner, intake rubber tube and other parts and replace parts as needed.

PRECAUTIONS ON GENERATOR-EQUIPPED ENGINE



WARNING

To avoid personal injury or death:

If the engine is kept running under no load or light load (load factor below 30%), unburnt fuel or carbon builds up in the exhaust system. As a result, the engine may get damaged or cause a fire. Run the engine under enough load at regular intervals to remove unburnt fuel and carbon deposits.

- Before doing the load operation, make sure there is nothing flammable around the engine.
- Do not put a load all at once on the engine, but gradually.
- If by any chance, spark rises out of the muffler outlet, DO NOT GET THE ENGINE UNLOADED, BUT INTERRUPT IT IMMEDIATELY.

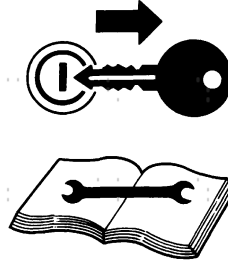
MAINTENANCE



WARNING

To avoid personal injury or death:

- Be sure to conduct daily checks, periodic maintenance, refueling or cleaning on a level surface with the engine shut off and remove the key.
- Before allowing other people to use your engine, explain how to operate, and have them read this manual before operation.
- When cleaning any parts, do not use gasoline but use regular cleanser.
- Always use proper tools, that are in good condition. Make sure you understand how to use them, before performing any service work.
- When installing, be sure to tighten all bolts lest they should be loose. Tighten the bolts by the specified torque.
- Do not put any tools on the battery, or battery terminals may short out. Severe burns or fire could result. Detach the battery from the engine before maintenance.
- Do not touch muffler or exhaust pipes while they are hot; Severe burns could result.



1ABAAAAAP1270



1ABAAAAAP1280

SERVICE INTERVALS

Observe the following for service and maintenance.

The lubricating oil change intervals listed in the table below are for Classes CG-4, CH-4, CI-4 and CF lubricating oils of API classification with a low-sulfur fuel in use. If the CG-4, CH-4 or CI-4 lubricating oil is used with a high-sulfur fuel, change the lubricating oil at shorter intervals than recommended in the table below depending on the operating condition.

[Z482-E, Z602-E, D722-E, D902-E, D1005-E, D1105-E, V1305-E, V1505-E, V1505-TE, D905-EBG, D1005-EBG, D1105-EBG, V1305-EBG, V1505-EBG]

Interval	Item	Ref. page	
Every 50 hours	Check of fuel pipes and clamp bands	25	
See NOTE	Change of engine oil (depending on the oil pan)	28 to 33	⊙
Every 100 hours	Cleaning of air cleaner element	38	*1
	Cleaning of fuel filter	26	
	Check of battery electrolyte level	42, 43	
	Check of fan belt tightness	44	
Every 200 hours	Check of radiator hoses and clamp bands	37	
	Replacement of oil filter cartridge (depending on the oil pan)	32	⊙
	Check of intake air line	-	
Every 400 hours	Replacement of fuel filter element	27	
Every 500 hours	Removal of sediment in fuel tank	-	
	Cleaning of water jacket (radiator interior)	-	
	Replacement of fan belt	44	
Every one or two months	Recharging of battery	42, 43	
Every year or every 6 cleanings of air cleaner element	Replacement of air cleaner element	38	*2
Every 800 hours	Check of valve clearance	47	
Every 1500 hours	Check of fuel injection nozzle injection pressure	-	*3
Every 3000 hours	Check of turbo charger	-	*3
	Check of injection pump	-	*3
Every two years	Replacement of battery	42, 43	
	Replacement of radiator hoses and clamp bands	37	
	Replacement of fuel pipes and clamps	25	*3
	Change of radiator coolant (L.L.C.)	36	
	Replacement of intake air line	-	*4

[D1503-M-E, D1703-M-E, D1803-M-E, V2003-M-E, V2203-M-E, V2003-M-T-E, V2403-M-E, D1503-M-DI-E, D1703-M-DI-E, D1803-M-DI-E, V2203-M-DI-E, V2003-M-DI-T-E, V2403-M-DI-E, V2403-M-DI-T-E, D1703-EBG, V2203-EBG]

Interval	Item	Ref. page	
Every 50 hours	Check of fuel pipes and clamp bands	25	
See NOTE	Change of engine oil (depending on the oil pan)	28 to 33	⊙
Every 100 hours	Cleaning of air cleaner element	38	*1
	Check of battery electrolyte level	42, 43	
	Check of fan belt tightness	44	
Every 200 hours	Replacement of oil filter cartridge, using standard oil pan	32	⊙
	Check of intake air line	-	
Every 200 hours of operations or six months	Check of radiator hoses and clamp bands	37	
Every 400 hours	Replacement of oil filter cartridge, using standard oil pan	32	⊙
	Replacement of fuel filter cartridge	27	
Every 500 hours	Removal of sediment in fuel tank	-	
	Cleaning of water jacket (radiator interior)	34 to 38	
	Replacement of fan belt	44	
Every one or two months	Recharging of battery	42, 43	
Every year	Replacement of air cleaner element	38	*2
Every 800 hours	Check of valve clearance	47	
Every 1500 hours	Check of fuel injection nozzle injection pressure	-	*3
Every 3000 hours	Check of turbo charger	-	*3
	Check of injection pump	-	*3
Every two years	Change of radiator coolant (L.L.C.)	36	
	Replacement of battery	42, 43	
	Replacement of radiator hoses and clamp bands	37	
	Replacement of fuel pipes and clamp bands	25	*3
	Replacement of intake air line	-	*4

[V2607-DI-T-E, V3307-DI-T-E, V3300-E, V3300-TE, V3300-DI-E, V3300-DI-TE, V3300-EBG, V3300-T-EBG, V3800-DI-E, V3800-DI-TE]

Interval	Item	Ref. page	
Every 50 hours	Check of fuel pipes and clamp bands	25	
See NOTE:	Change of engine oil	28 to 33	◎
Every 250 hours	Cleaning of air cleaner element	38	*1
	Cleaning of fuel filter	26	
	Check of battery electrolyte level	42, 43	
	Check of fan belt tightness	44	◎
	Check of radiator hoses and clamp bands	37	
	Check of intake air line	-	
Every 500 hours	Replacement of oil filter cartridge	32	◎
	Replacement of fuel filter cartridge	27	
	Removal of sediment in fuel tank	-	
	Cleaning of water jacket (radiator interior)	34 to 38	
	Replacement of fan belt	44	
Every one or two months	Recharging of battery	42, 43	
Every year	Replacement of air cleaner element	38	*2
Every 1000 hours	Check of valve clearance	47	
Every 1500 hours	Check of fuel injection nozzle injection pressure	-	*3
Every 3000 hours	Check of turbo charger	-	*3
	Check of injection pump	-	*3
	Check of fuel injection timer	-	*3
Every two years	Change of radiator coolant (L.L.C.)	36	
	Replacement of battery	42, 43	
	Replacement of radiator hoses and clamp bands	37	
	Replacement of fuel pipes and clamp bands	25	*3
	Replacement of intake air line	-	*4
	Replacement of fan belt (or every 500 hours)	44	

IMPORTANT :

- The jobs indicated by ◎ must be done after the first 50 hours of operation.
- *1 Air cleaner should be cleaned more often in dusty conditions than in normal conditions.
- *2 After 6 times of cleaning.
- *3 Consult your local KUBOTA Dealer for this service.
- *4 Replace only if necessary.
- When the battery is used for less than 100 hours in a year, check its electrolyte yearly. (for refillable battery's only)

NOTE :

- **Changing interval of engine oil and oil filter cartridge.**

	Models	Interval		Initial
		Oil pan depth		
Engine oil	Z602-E, D902-E	101 mm (3.98 in.)	100 Hrs	50 Hrs
	Z482-E, D722-E	101 mm (3.98 in.) *1	75 Hrs	
		121 mm (4.76 in.)	100 Hrs	
	D1005-E, D1105-E, V1305-E, V1505-E, V1505-TE, D905-EBG, D1005-EBG, D1105-EBG, V1305-EBG, V1505-EBG	Above 125 mm (4.9 in.)	200 Hrs	
		Below 101 mm (4.0 in.) *2	150 Hrs	
	D1503-M-E, D1703-M-E, D1803-M-E, V2003-M-E, V2203-M-E, V2003-M-T-E, V2403-M-E, D1703-EBG, V2203-EBG	124 mm (4.88 in.)	200 Hrs	
		90 mm (3.54 in.) *3	150 Hrs	
	D1503-M-DI-E, D1703-M-DI-E, D1803-M-DI-E, V2203-M-DI-E, V2003-M-DI-T-E, V2403-M-DI-E, V2403-M-DI-T-E	124 mm (4.88 in.)	400 Hrs	
		90 mm (3.54 in.) *3	200 Hrs	
V3300-E, V3300-TE, V3300-EBG, V3300-T-EBG	250 Hrs or 1 year whichever comes first			
V2607-DI-T-E, V3307-DI-T-E, V3300-DI-E, V3300-DI-TE, V3800-DI-E, V3800-DI-TE	500 Hrs or 1 year whichever comes first			
Oil filter cartridge	Oil pan depth		50 Hrs	
	Z602-E, D902-E	101 mm (3.98 in.)		200 Hrs
	Z482-E, D722-E	101 mm (3.98 in.) *1		150 Hrs
		121 mm (4.76 in.)		200 Hrs
	D1005-E, D1105-E, V1305-E, V1505-E, V1505-TE, D905-EBG, D1005-EBG, D1105-EBG, V1305-EBG, V1505-EBG	Above 125 mm (4.9 in.)		200 Hrs
		Below 101 mm (4.0 in.) *2		150 Hrs
	D1503-M-E, D1703-M-E, D1803-M-E, V2003-M-E, V2203-M-E, V2003-M-T-E, V2403-M-E, D1703-EBG, V2203-EBG	124 mm (4.88 in.)		200 Hrs
		90 mm (3.54 in.) *3		150 Hrs
	D1503-M-DI-E, D1703-M-DI-E, D1803-M-DI-E, V2203-M-DI-E, V2003-M-DI-T-E, V2403-M-DI-E, V2403-M-DI-T-E	124 mm (4.88 in.)		400 Hrs
90 mm (3.54 in.) *3		200 Hrs		
V2607-DI-T-E, V3307-DI-T-E, V3300-E, V3300-TE, V3300-EBG, V3300-T-EBG, V3300-DI-E, V3300-DI-TE, V3800-DI-E, V3800-DI-TE	500 Hrs			

* 1: 101 mm (3.98 in.) oil pan depth is optional for Z482-E, D722-E.

* 2: 101 mm oil pan depth is optional.

* 3: 90 mm (3.54 in.) oil pan depth is optional.

- API service classification: above CF grade

- Ambient temperature: below 35°C(95°F)

NOTE :**Lubricating oil**

With the emission control now in effect, the CG-4, CH-4 and CI-4 lubricating oils have been developed for use of a low-sulfur fuel on on-road vehicle engines. When an off-road vehicle engine runs on a high-sulfur fuel, it is advisable to employ the CF lubricating oil with a high total base number. If the CG-4, CH-4 or CI-4 lubricating oil is used with a high-sulfur fuel, change the lubricating oil at shorter intervals.

● **Lubricating oil recommended when a low-sulfur or high-sulfur fuel is employed.**

○ : Recommendable × : Not recommendable

Lubricating oil class	Fuel		Remarks
	Low-sulfur	High-sulfur	
CF	○	○	*TBN \geq 10
CG-4	○	×	
CH-4	○	×	
CI-4	○	×	

*TBN: Total Base Number

PERIODIC SERVICE

FUEL

Fuel is flammable and can be dangerous. You should handle fuel with care.



WARNING

To avoid personal injury or death:

- Do not mix gasoline or alcohol with diesel fuel. This mixture can cause an explosion.
- Be careful not to spill fuel during refueling. If fuel should spill, wipe it off at once, or it may cause a fire.
- Do not fail to stop the engine before refueling. Keep the engine away from the fire.
- Be sure to stop the engine while refueling or bleeding and when cleaning or changing fuel filter or fuel pipes. Do not smoke when working around the battery or when refueling.
- Check the fuel systems at a well ventilated and wide place.
- When fuel and lubricant are spilled, refuel after letting the engine cool off.
- Always keep spilled fuel and lubricant away from engine.

■ Fuel level check and refueling

1. Check to see that the fuel level is above the lower limit of the fuel level gauge.
2. If the fuel is too low, add fuel to the upper limit. Do not overfill.

No.2-D is a distillate fuel oil of lower volatility for engines in industrial and heavy mobile service.

(SAE J313 JUN87)

Grade of Diesel Fuel Oil According to ASTM D975

Flash Point, °C (°F)	Water and Sediment, volume %	Carbon Residue on, 10 percent Residuum %	Ash, weight %
Min	Max	Max	Max
52 (125)	0.05	0.35	0.01

Distillation Temperatures, °C (°F) 90% Point		Viscosity Kinematic cSt or mm ² /s at 40°C		Viscosity Saybolt, SUS at 37.8°C (100°F)	
Min	Max	Min	Max	Min	Max
282 (540)	338 (640)	1.9	4.1	32.6	40.1

Sulfur, weight %	Copper Strip Corrosion	Cetane Number
Max	Max	Min
0.50	No. 3	40

The cetane number is required not less than 45.

IMPORTANT :

- Be sure to use a strainer when filling the fuel tank, or dirt or sand in the fuel may cause trouble in the fuel injection pump.
- For fuel, always use diesel fuel. You are required not to use alternative fuel, because its quality is unknown or it may be inferior in quality. Kerosene, which is very low in cetane rating, adversely affects the engine. Diesel fuel differs in grades depending on the temperature.
- Be careful not to let the fuel tank become empty, or air can enter the fuel system, necessitating bleeding before next engine start.

■ Air bleeding the fuel system



WARNING

To avoid personal injury or death:

- Do not bleed a hot engine as this could cause fuel to spill onto a hot exhaust manifold creating a danger of fire.

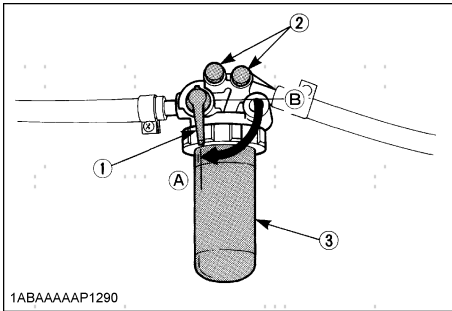
Air bleeding of the fuel system is required if,

- after the fuel filter and pipes have been detached and refitted;
- after the fuel tank has become empty; or
- before the engine is to be used after a long storage.

[Z482-E, Z602-E, D722-E, D902-E]

[PROCEDURE]

1. Fill the fuel tank to the fullest extent. Open the fuel filter lever.
2. Loosen air vent plug of the fuel filter a few turns.
3. Screw back the plug when bubbles do not come up any more.
4. Open the air vent plug on top of the fuel injection pump.
5. Retighten the plug when bubbles do not come up any more.



1ABAAAAAP1290

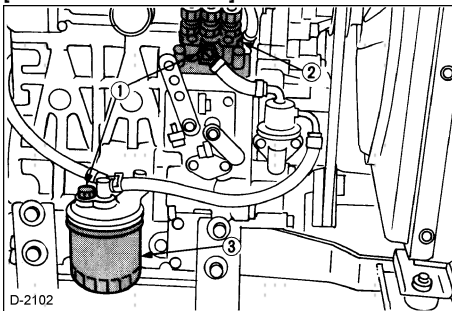
- | | |
|-----------------------|-----------|
| (1) Fuel filter lever | (A) "ON" |
| (2) Air vent plug | (B) "OFF" |
| (3) Fuel filter pot | |

[D1005-E, D1105-E, V1305-E, V1505-E, V1505-TE, D905-EBG, D1005-EBG, D1105-EBG, V1305-EBG, V1505-EBG]

[PROCEDURE (A)] (gravity feed fuel tanks only)

1. Fill the fuel tank to the fullest extent. Open the fuel filter lever.
2. Loosen air vent plug of the fuel filter a few turns.
3. Screw back the plug when bubbles do not come up any more.
4. Open the air vent plug on top of the fuel injection pump.
5. Retighten the plug when bubbles do not come up any more.

[GRAVITY FEED SYSTEM]



D-2102

- (1) Air vent plug
- (2) Injection pump
- (3) Fuel filter

[PROCEDURE (B)]

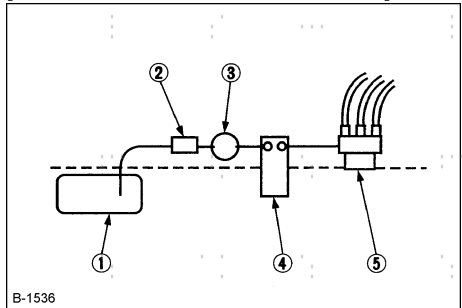
(fuel tanks lower than injection pump)

1. For fuel tanks that are lower than the injection pump. The fuel system must be pressurized by the fuel system electric fuel pump.
2. If an electric fuel pump is not used, you must manually actuate the pump by lever to bleed.
3. The primary fuel filter (3) must be on the pressure side of the pump if the fuel tank is lower than the injection pump.
4. To bleed follow (2) through (5) above. (PROCEDURE (A))

IMPORTANT :

- Tighten air vent plug of the fuel injection pump except when bleeding, or it may stop the engine suddenly.

[TANK BELOW INJECTION PUMP SYSTEM]



B-1536

- (1) Fuel tank below injection pump
- (2) Pre-filter
- (3) Electric or Mechanical pump
- (4) Main Filter
- (5) Injection pump

[D1503-M-E, D1703-M-E, D1803-M-E, V2003-M-E, V2203-M-E, V2003-M-T-E, V2403-M-E, D1503-M-DI-E, D1703-M-DI-E, D1803-M-DI-E, V2203-M-DI-E, V2003-M-DI-T-E, V2403-M-DI-E, V2403-M-DI-T-E, D1703-EBG, V2203-EBG]

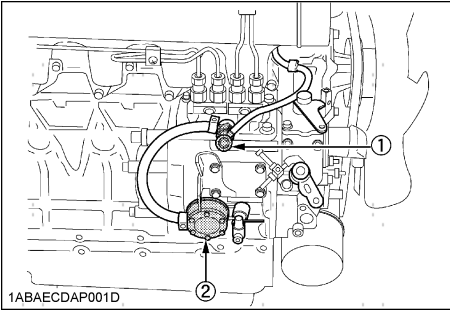
[PROCEDURE (A)] (gravity feed fuel tanks only)

1. Fill the fuel tank to the fullest extent. Open the water separator lever.
2. Open the air vent cock on top of the fuel injection pump.
3. Start the engine and run for about 30 seconds, and then stop the engine.
4. Close the air vent cock on top of the fuel injection pump.

IMPORTANT :

- Always keep the air vent cock on the fuel injection pump closed except when air is vented, or it may cause the engine to stop.

[GRAVITY FEED SYSTEM]



- (1) Air vent cock
- (2) Fuel feed pump

[PROCEDURE (B)] (fuel tanks lower than injection pump)

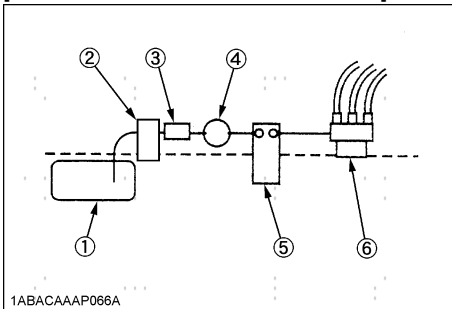
For fuel tanks that are lower than the injection pump.

1. The fuel system must be pressurized by the fuel system electric fuel pump.
 2. If an electric fuel pump is not used, you must manually actuate the pump to bleed.
 3. The primary fuel filter must be on the pressure side of the pump if the fuel tank is lower than the injection pump.
 4. To bleed, follow (2) through (4) above.
- (PROCEDURE (A))

IMPORTANT :

- Tighten air vent plug of the fuel injection pump except when bleeding, or it may stop the engine suddenly.

[TANK BELOW INJECTION PUMP SYSTEM]



- (1) Fuel tank below injection pump
- (2) Water separator
- (3) Pre-filter
- (4) Electric or Mechanical pump
- (5) Main filter
- (6) Injection pump

[V2607-DI-T-E, V3307-DI-T-E]

[PROCEDURE (A)] (gravity feed fuel tanks only)

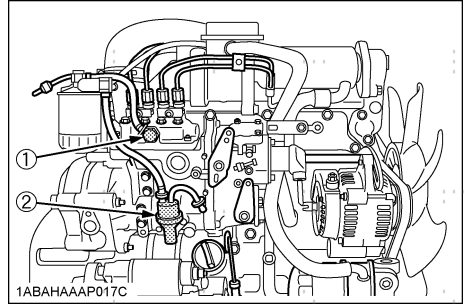
1. Fill the fuel tank to the fullest extent. Open the fuel filter lever.
2. Open the joint bolt on top of the fuel injection pump.
3. Turn the engine, continue it for about 10 seconds and then stop it, or move the fuel feed pump lever by hand (optional).
4. Close the joint bolt on top of the fuel injection pump.

IMPORTANT :

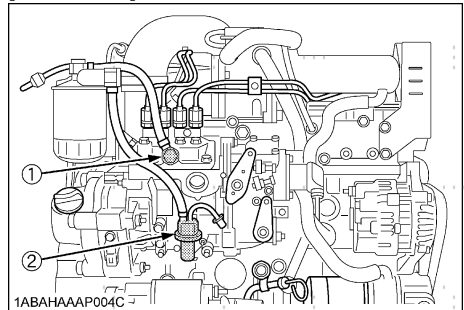
- Always keep the air vent cock on the fuel injection pump closed except when air is vented, or it may cause the engine to stop.

[GRAVITY FEED SYSTEM]

[V2607-DI-T-E]



[V3307-DI-T-E]



- (1) Joint bolt
- (2) Fuel feed pump

NOTE :

- For the engine equipped with automatic venting (optional) no manual bleeding of fuel lines is required.

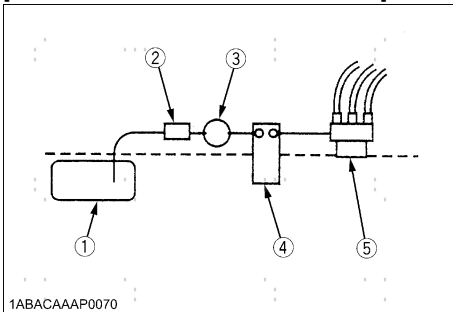
[PROCEDURE (B)] (fuel tanks lower than injection pump)

1. For fuel tanks that are lower than the injection pump. The fuel system must be pressurized by the fuel system electric fuel pump.
2. If an electric fuel pump is not used, you must manually actuate the pump by lever to bleed.
3. The primary fuel filter must be on the pressure side of the pump if the fuel tank is lower than the injection pump.
4. To bleed, follow (2) through (4) above.

IMPORTANT :

- Tighten air vent plug of the fuel injection pump except when bleeding, or it may stop the engine suddenly.

[TANK BELOW INJECTION PUMP SYSTEM]



1ABACAAAP0070

- (1) Fuel tank below injection pump
- (2) Pre-filter
- (3) Electric or Mechanical pump
- (4) Main Filter
- (5) Injection pump

[V3300-E, V3300-TE, V3300-DI-E, V3300-DI-TE, V3300-EBG, V3300-T-EBG, V3800-DI-E, V3800-DI-TE]

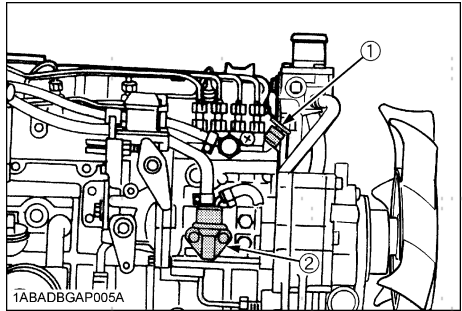
[PROCEDURE (A)] (gravity feed fuel tanks only)

1. Fill the fuel tank to the fullest extent. Open the fuel filter lever.
2. Open the joint bolt on top of the fuel injection pump.
3. Turn the engine, continue it for about 10 seconds and then stop the engine.
4. Close the joint bolt on top of the fuel injection pump.

IMPORTANT :

- Always keep the joint bolt on the fuel injection pump closed except when air is vented, or it may cause the engine to stop.

[GRAVITY FEED SYSTEM]



- (1) Joint bolt
- (2) Fuel feed pump

NOTE :

- For the engine equipped with automatic venting (optional) no manual bleeding of fuel lines is required.

[PROCEDURE (B)] (fuel tanks lower than injection pump)

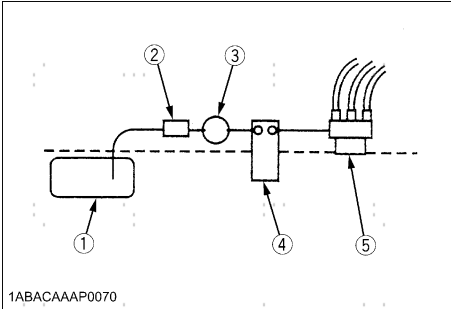
For fuel tanks that are lower than the injection pump

1. The fuel system must be pressurized by the fuel system electric fuel pump.
2. If an electric fuel pump is not used, you must manually actuate the pump to bleed.
3. The primary fuel filter must be on the pressure side of the pump if the fuel tank is lower than the injection pump.
4. To bleed, follow (2) through (4) above. (PROCEDURE (A))

IMPORTANT :

- Tighten air vent plug of the fuel injection pump except when bleeding, or it may stop the engine suddenly.

[TANK BELOW INJECTION PUMP SYSTEM]



1ABACAAAP0070

- (1) Fuel tank below injection pump
- (2) Pre-filter
- (3) Electric or Mechanical pump
- (4) Main filter
- (5) Injection pump

■ Checking the fuel pipes



WARNING

To avoid personal injury or death:

- Check or replace the fuel pipes after stopping the engine. Broken fuel pipes can cause fires.

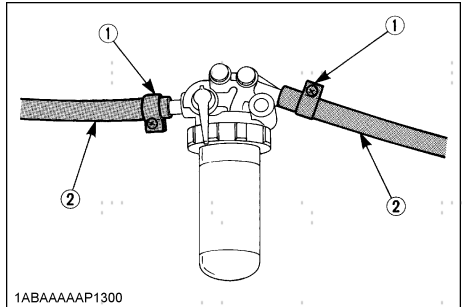
Check the fuel pipes every 50 hours of operation. When if;

1. If the clamp band is loose, apply oil to the screw of the band, and tighten the band securely.
2. If the fuel pipes, made of rubber, become worn out, replace them and clamp bands every 2 years.
3. If the fuel pipes and clamp bands are found worn or damaged before 2 years' pass, replace or repair them at once.
4. After replacement of the pipes and bands, air-bleed the fuel system.

IMPORTANT :

- When the fuel pipes are not installed, plug them at both ends with clean cloth or paper to prevent dirt from entering. Dirt in the pipes can cause fuel injection pump malfunction.

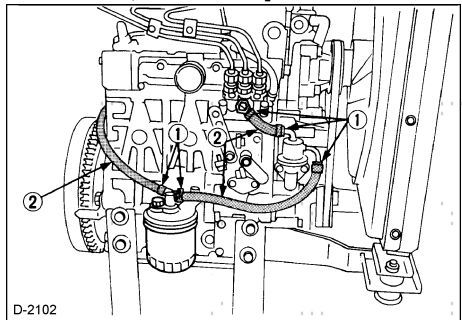
[Z482-E, Z602-E, D722-E, D902-E]



1ABAAAAAP1300

- (1) Clamp band
- (2) Fuel pipe

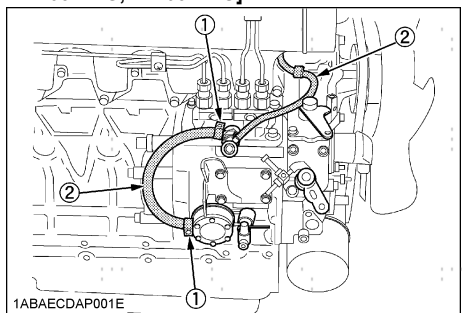
[D1005-E, D1105-E, V1305-E, V1505-E, V1505-TE, D905-EBG, D1005-EBG, D1105-EBG, V1305-EBG, V1505-EBG]



D-2102

- (1) Clamp band
- (2) Fuel pipe

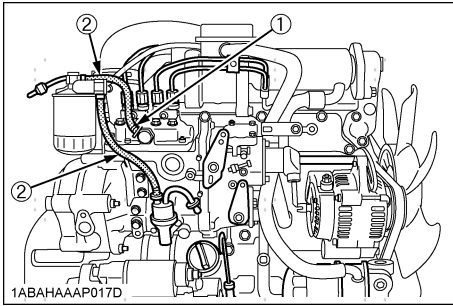
[D1503-M-E, D1703-M-E, D1803-M-E, V2003-M-E, V2203-M-E, V2003-M-T-E, V2403-M-E, D1503-M-DI-E, D1703-M-DI-E, D1803-M-DI-E, V2203-M-DI-E, V2003-M-DI-T-E, V2403-M-DI-E, V2403-M-DI-T-E, D1703-EBG, V2203-EBG]



1ABAECDAP001E

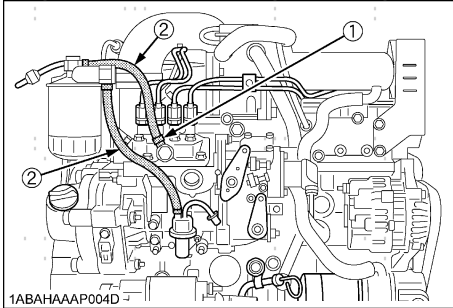
- (1) Clamp band
- (2) Fuel pipe

[V2607-DI-T-E]



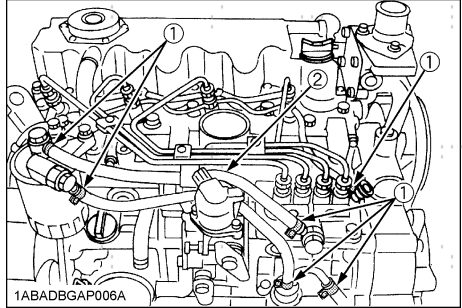
- (1) Clamp band
- (2) Fuel pipe

[V3307-DI-T-E]



- (1) Clamp band
- (2) Fuel pipe

[V3300-E, V3300-TE, V3300-DI-E, V3300-DI-TE,
V3300-EBG, V3300-T-EBG, V3800-DI-E,
V3800-DI-TE]



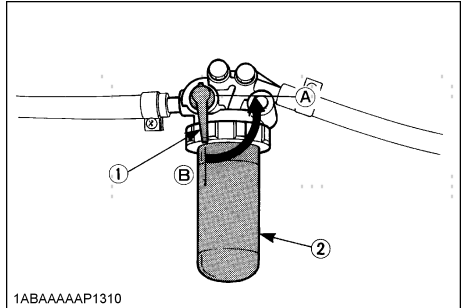
- (1) Clamp band
- (2) Fuel pipe

■ Cleaning the fuel filter pot

Clean the fuel filter in a clean place to prevent dust intrusion.

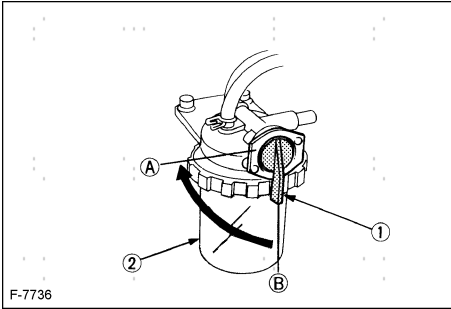
1. Close the fuel filter lever.

[Z482-E, Z602-E, D722-E, D902-E]



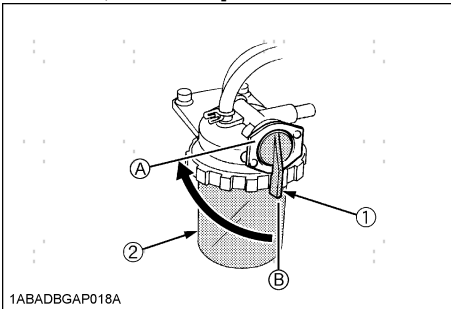
- (1) Fuel filter lever
- (2) Fuel filter pot
- (A) "OFF"
- (B) "ON"

[D1005-E, D1105-E, V1305-E, V1505-E, V1505-TE, D905-EBG, D1005-EBG, D1105-EBG, V1305-EBG, V1505-EBG]



- (1) Fuel filter lever (A) "OFF"
 (2) Fuel filter pot (B) "ON"

[V2607-DI-T-E, V3307-DI-T-E, V3300-E, V3300-TE, V3300-DI-E, V3300-DI-TE, V3300-EBG, V3300-T-EBG, V3800-DI-E, V3800-DI-TE]

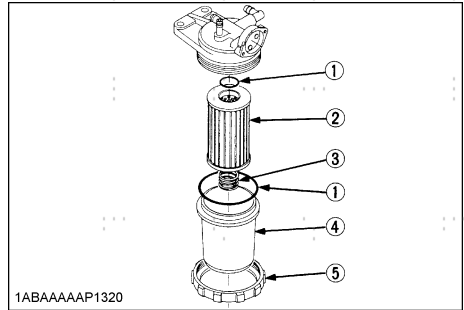


- (1) Fuel filter lever (A) "OFF"
 (2) Fuel filter pot (B) "ON"

- Remove the top cap, and rinse the inside with diesel fuel.
- Take out the element, and rinse it with diesel fuel.
- After cleaning, reinstall the fuel filter, keeping out of dust and dirt.
- Air-bleed the injection pump.

IMPORTANT :

- Entrance of dust and dirt can cause a malfunction of the fuel injection pump and the injection nozzle. Wash the fuel filter cup periodically.



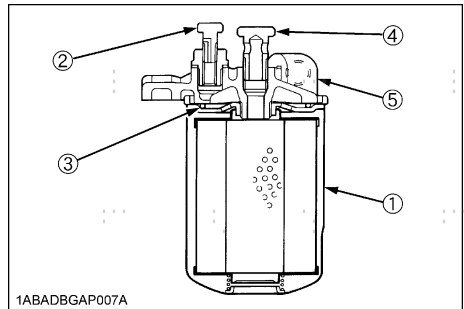
- 1ABAAAAAP1320
- (1) O ring
 (2) Filter element
 (3) Spring
 (4) Filter bowl
 (5) Screw ring

■ Fuel filter cartridge replacement

- Replace the fuel filter cartridge with a new one.
- Apply fuel oil thinly over the gasket and tighten the cartridge into position by hand-tightening only.
- Finally, vent the air.

IMPORTANT :

- Replace the fuel filter cartridge periodically to prevent wear of the fuel injection pump plunger or the injection nozzle, due to dirt in the fuel.



- 1ABADBGAP007A
- (1) Fuel filter cartridge
 (2) Air vent plug
 (3) O ring
 (4) Pipe joint
 (5) Cover

NOTE :

- The fuel filter cartridge and water separator should be replaced more earlier according to the fuel classification in use.

ENGINE OIL

WARNING

To avoid personal injury or death:

- Be sure to stop the engine before checking and changing the engine oil and the oil filter cartridge.
- Do not touch muffler or exhaust pipes while they are hot; Severe burns could result. Always stop the engine and allow it to cool before conducting inspections, maintenance, or for a cleaning procedure.
- Contact with engine oil can damage your skin. Put on gloves when using engine oil. If you come in contact with engine oil, wash it off immediately.

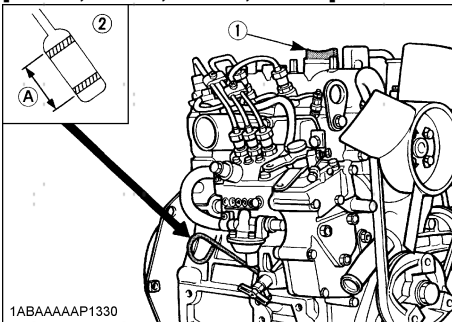
NOTE :

- Be sure to inspect the engine, locating it on a horizontal place. If placed on gradients accurately, oil quantity may not be measured.
- Be sure to keep the oil level between upper and lower limits of the oil gauge. Too much oil may cause a drop in output or excessive blow-by gas. On the closed breather type engine in which mist is sucked through port, too much oil may cause oil hammer. While too little oil, may seize the engine's rotating and sliding parts. (The closed breather is an option.)

■ Checking level and adding engine oil

1. Check the engine oil level before starting or more than 5 minutes after stopping the engine.
2. Remove the oil level gauge, wipe it clean and reinstall it.
3. Take the oil level gauge out again, and check the oil level.

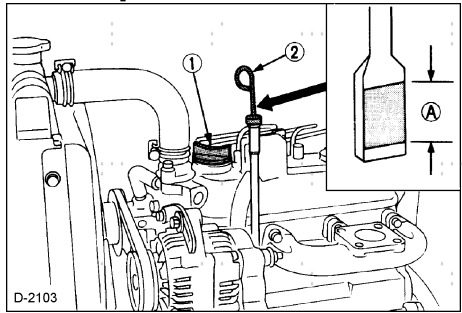
[Z482-E, Z602-E, D722-E, D902-E]



1ABAAAAAP1330

- (1) Oil filler plug [Lower end of oil level gauge]
 (2) Oil level gauge (A) Engine oil level within this range is proper.

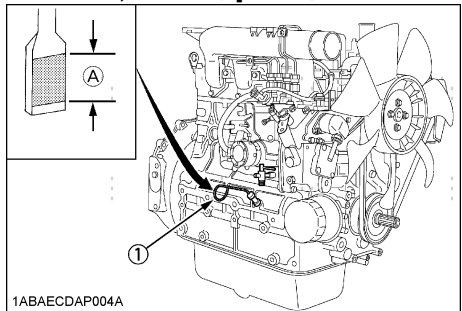
[D1005-E, D1105-E, V1305-E, V1505-E, V1505-TE, D905-EBG, D1005-EBG, D1105-EBG, V1305-EBG, V1505-EBG]



D-2103

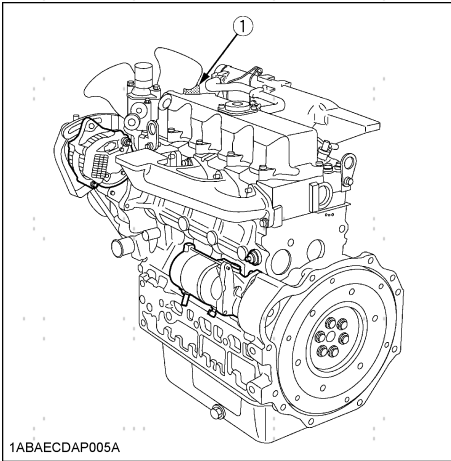
- (1) Oil filler plug [Lower end of oil level gauge]
 (2) Oil level gauge (A) Engine oil level within this range is proper.

[D1503-M-E, D1703-M-E, D1803-M-E, V2003-M-E, V2203-M-E, V2003-M-T-E, V2403-M-E, D1503-M-DI-E, D1703-M-DI-E, D1803-M-DI-E, V2203-M-DI-E, V2003-M-DI-T-E, V2403-M-DI-E, V2403-M-DI-T-E, D1703-EBG, V2203-EBG]



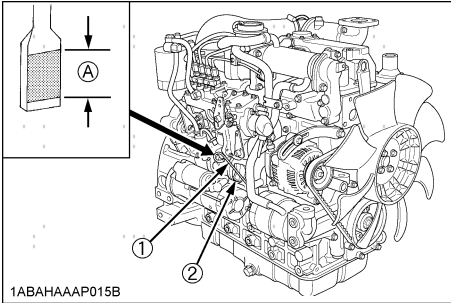
1ABAECAP004A

- (1) Oil level gauge (A) Engine oil level within this range is proper.

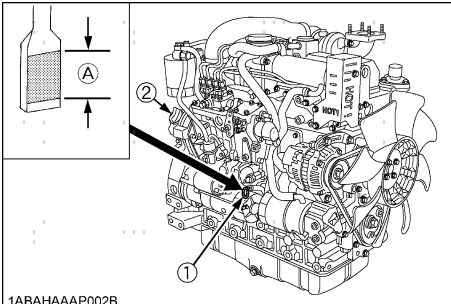


(1) Oil filler plug

[V2607-DI-T-E]



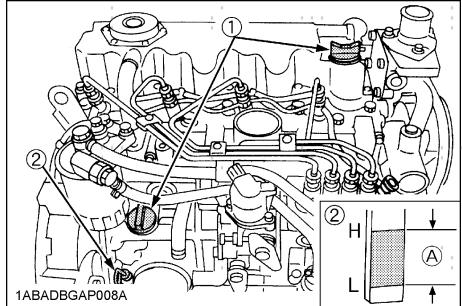
[V3307-DI-T-E]



(1) Oil level gauge
(2) Oil filler plug

[Lower end of oil level gauge]
(A) Engine oil level within this range is proper.

[V3300-E, V3300-TE, V3300-DI-E, V3300-DI-TE, V3300-EBG, V3300-T-EBG, V3800-DI-E, V3800-DI-TE]



(1) Oil filler plug
(2) Oil level gauge
(A) Engine oil level within this range is proper.

- If the oil level is too low, remove the oil filler plug, and add new oil to the prescribed level.
- After adding oil, wait more than 5 minutes and check the oil level again. It takes same time for the oil to come down to the oil pan.

◆ Engine oil quantity

Models	Oil pan depth	
	*101 mm (3.98 in.)	121 mm (4.76 in.)
Z482-E	2.1 L (0.55 U.S.gals.)	2.5 L (0.66 U.S.gals.)
D722-E	3.2 L (0.84 U.S.gals.)	3.8 L (1.0 U.S.gals.)
Z602-E	2.5 L (0.66 U.S.gals.)	-
D902-E	3.7 L (0.98 U.S.gals.)	-

*101 mm (3.98 in.) oil pan depth is optional.

Oil quantities shown are for standard oil pans.

Models	Quantity
D1005-E, D1105-E, D905-EBG, D1005-EBG, D1105-EBG	5.1L (1.35 U.S.GALS)
V1305-E, V1505-E, V1305-EBG, V1505-EBG	6.0L (1.59 U.S.GALS)
V1505-TE	6.7L (1.77 U.S.GALS)

Models	Oil pan depth	
	124 mm (4.88 in.)	*90 mm (3.54 in.)
D1503-M-E D1703-M-E D1803-M-E D1503-M-DI-E D1703-M-DI-E D1803-M-DI-E D1703-EBG	7.0 L (1.85 U.S.gals.)	5.6 L (1.48 U.S.gals.)
V2003-M-E V2203-M-E V2003-M-T-E V2403-M-E V2203-M-DI-E V2003-M-DI-T-E V2403-M-DI-E V2203-EBG V2403-M-DI-T-E	9.5 L (2.51 U.S.gals.)	7.6 L (2.01 U.S.gals.)

*90 mm (3.54 in.) oil pan depth is optional.
Oil quantities shown are for standard oil pans.

Models	Quantity
V2607-DI-T-E	10.2 L (2.69 U.S. gal.)
V3307-DI-T-E	11.2 L (2.95 U.S. gal.)
V3300-E, V3300-TE V3300-DI-E, V3300-DI-TE V3300-EBG, V3300-T-EBG V3800-DI-E, V3800-DI-TE	13.2 L (3.49 U.S. gal.)

* API service classification: above CF grade

IMPORTANT :

- Engine oil should be MIL-L-2104C or have properties of API classification CF grades or higher. Change the type of engine oil according to the ambient temperature.

above 25°C (77°F)	10W-30 or 10W-40 or 15W-40
-10°C to 25°C (14°F to 77°F)	10W-30 or 10W-40 or 15W-40
below -10°C (14°F)	10W-30 or 10W-40

- Use of the following oil not only disallows the engine from performing well in low temperatures until it warms up sufficiently but may also lead to excessive engine wear or engine seizure.
 - Oil with a viscosity higher than 10W-30
 - Oil not recommended by KUBOTA
- When using the oil of a brand different from the previous one, be sure to drain all the previous oil before adding the new engine oil.
- Be sure to inspect the engine, locating it on a level place. If placed on gradients, oil quantity may not be measured accurately.

■ Changing engine oil



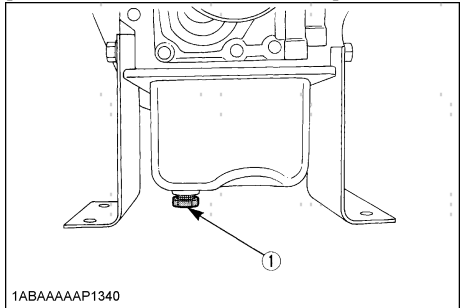
WARNING

To avoid personal injury or death:

- Be sure to stop the engine before draining engine oil.
- When draining engine oil, place some container underneath the engine and dispose it according to local regulations.
- Do not drain oil after running the engine. Allow engine to cool down sufficiently.

1. Change engine oil. (Refer to page 19)
2. Remove the drain plug at the bottom of the engine, and drain all the old oil. Drain oil easier and completely while the engine is hot.
3. When letting out the oil, remove the filler plug too. With the filler plug still in place, it would be difficult to discharge the oil completely.

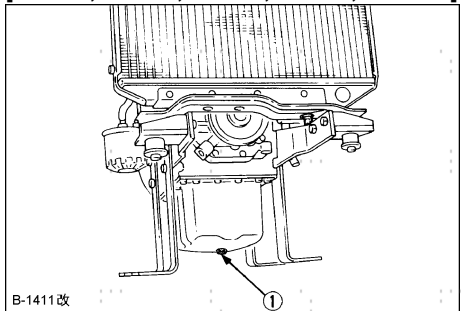
[Z482-E, Z602-E, D722-E, D902-E]



1ABAAAAAP1340

(1) Oil drain plug

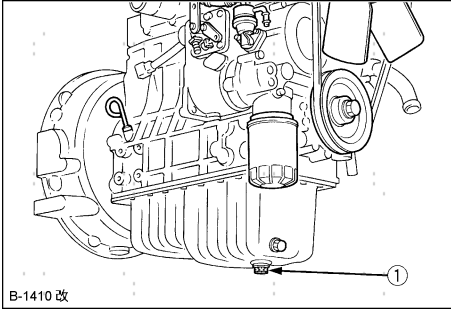
[D1005-E, D1105-E, V1305-E, V1505-E, V1505-TE]



B-1411改

(1) Oil drain plug

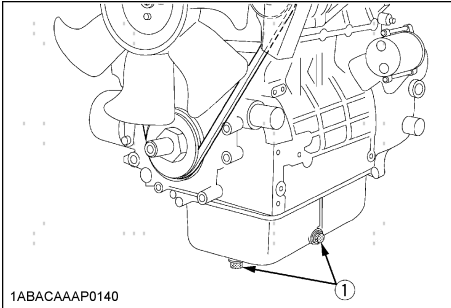
[D905-EBG, D1005-EBG, D1105-EBG, V1305-EBG, V1505-EBG]



B-1410 改

(1) Oil drain plug

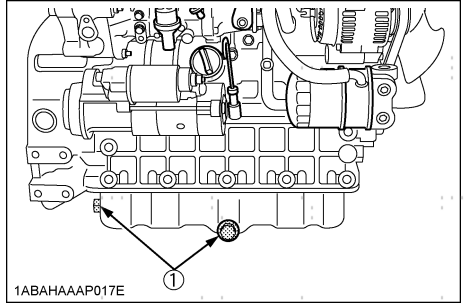
[D1503-M-E, D1703-M-E, D1803-M-E, V2003-M-E, V2203-M-E, V2003-M-T-E, V2403-M-E, D1503-M-DI-E, D1703-M-DI-E, D1803-M-DI-E, V2203-M-DI-E, V2003-M-DI-T-E, V2403-M-DI-E, V2403-M-DI-T-E, D1703-EBG, V2203-EBG]



1ABACAAAP0140

(1) Oil drain plug

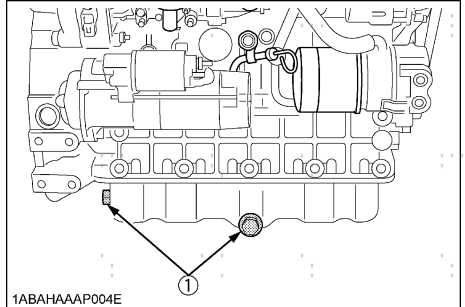
[V2607-DI-T-E]



1ABAHAAAP017E

(1) Oil drain plug

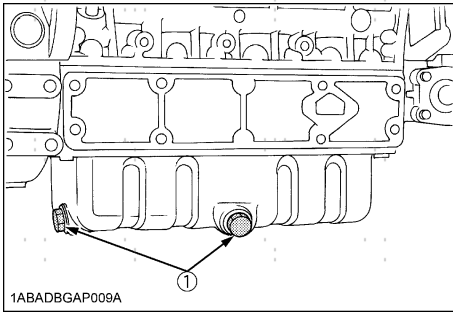
[V3307-DI-T-E]



1ABAHAAAP004E

(1) Oil drain plug

[V3300-E, V3300-TE, V3300-DI-E, V3300-DI-TE, V3300-EBG, V3300-T-EBG, V3800-DI-E, V3800-DI-TE]



1ABADBGAPO09A

(1) Oil drain plug

4. Add new engine oil up to the upper limit of the oil level gauge. Be careful not to add oil above the upper limit of the oil level gauge.

■ Replacing the oil filter cartridge



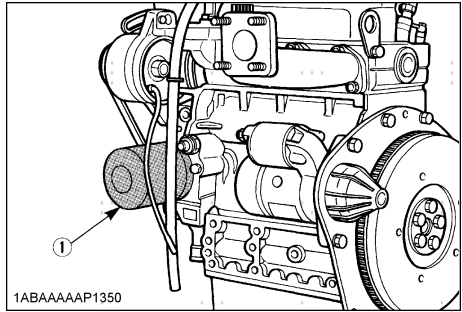
WARNING

To avoid personal injury or death:

- Be sure to stop the engine before changing the oil filter cartridge.
- Allow engine to cool down sufficiently, oil can be hot and cause burns.

1. Replace the oil filter cartridge. (Refer to page 19)
2. Remove the old oil filter cartridge with a filter wrench.
3. Apply a film of oil to the gasket for the new cartridge.
4. Screw in the cartridge by hand. When the gasket contacts the seal surface, tighten the cartridge enough by hand. Because, if you tighten the cartridge with wrench, it will be tightened too much.

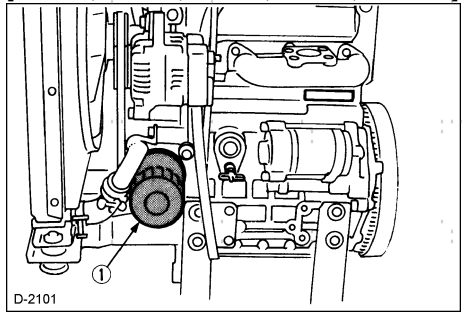
[Z482-E, Z602-E, D722-E, D902-E]



1ABAAAAAP1350

(1) Oil filter cartridge
Remove with a filter wrench
(Tighten with your hand)

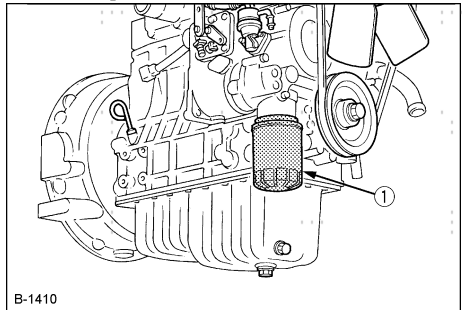
[D1005-E, D1105-E, V1305-E, V1505-E, V1505-TE]



D-2101

(1) Oil filter cartridge
Remove with a filter wrench
(Tighten with your hand)

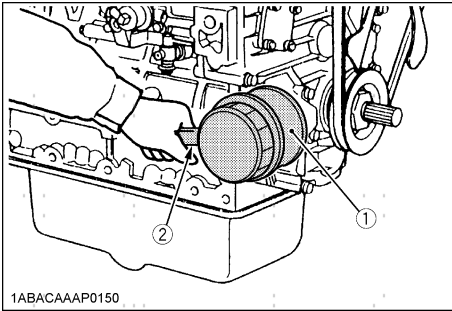
[D905-EBG, D1005-EBG, D1105-EBG, V1305-EBG, V1505-EBG]



B-1410

(1) Oil filter cartridge
Remove with a filter wrench
(Tighten with your hand)

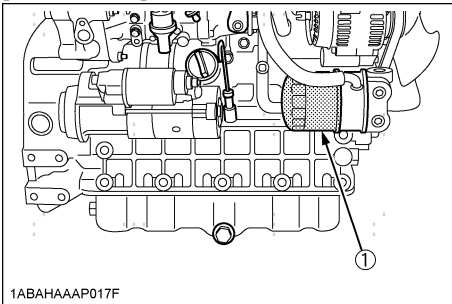
[D1503-M-E, D1703-M-E, D1803-M-E, V2003-M-E, V2203-M-E, V2003-M-T-E, V2403-M-E, D1503-M-DI-E, D1703-M-DI-E, D1803-M-DI-E, V2203-M-DI-E, V2003-M-DI-T-E, V2403-M-DI-E, V2403-M-DI-T-E, D1703-EBG, V2203-EBG]



1ABACAAAP0150

- (1) Oil filter cartridge
- (2) Remove with a filter wrench
(Tighten with your hand)

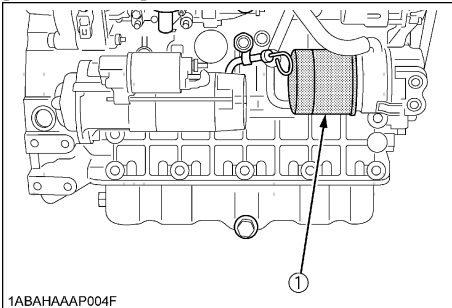
[V2607-DI-T-E]



1ABAHAAAP017F

- (1) Oil filter cartridge

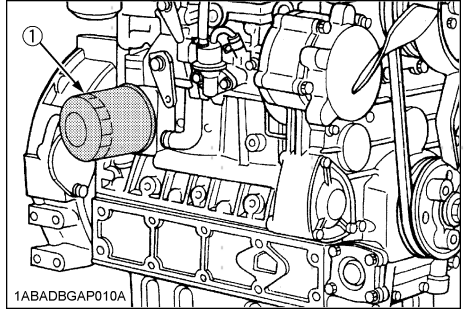
[V3307-DI-T-E]



1ABAHAAAP004F

- (1) Oil filter cartridge

[V3300-E, V3300-TE, V3300-DI-E, V3300-DI-TE, V3300-EBG, V3300-T-EBG, V3800-DI-E, V3800-DI-TE]



1ABADBGAP010A

- (1) Oil filter cartridge
"Remove with a filter wrench
(Tighten with your hand)"
5. After the new cartridge is replaced, the engine oil level normally decreases a little. Thus, run the engine for a while and check for oil leaks through the seal before checking the engine oil level. Add oil if necessary.

NOTE :

- Wipe off any oil sticking to the machine completely.

RADIATOR

Coolant will last for one day's work if filled all the way up before operation start. Make it a rule to check the coolant level before every operation.



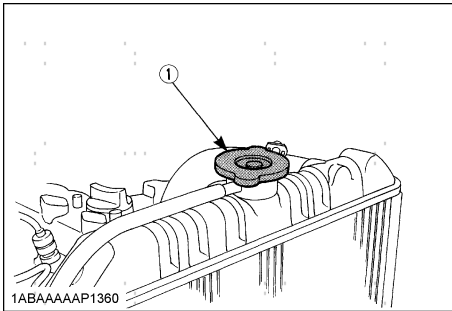
WARNING

To avoid personal injury or death:

- Do not stop the engine suddenly, stop it after about 5 minutes of unloaded idling.
- Work only after letting the engine and radiator cool off completely (more than 30 minutes after it has been stopped).
- Do not remove the radiator cap while coolant is hot. When cool to the touch, rotate cap to the first stop to allow excess pressure to escape. Then remove cap completely. If overheats should occur, steam may gush out from the radiator or recovery tank; Severe burns could result.

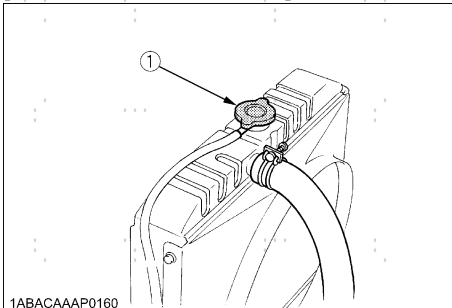
■ Checking coolant level, adding coolant

1. Remove the radiator cap after the engine has completely cooled, and check to see that coolant reaches the supply port.



(1) Radiator pressure cap

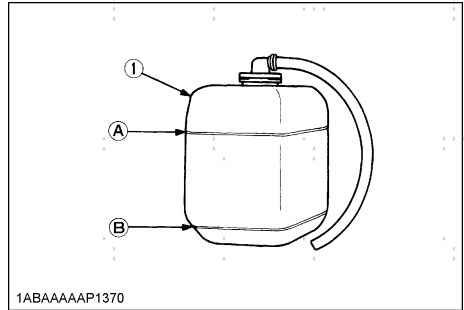
[V2607-DI-T-E, V3307-DI-T-E]



1ABACAAAP0160

(1) Radiator pressure cap

2. If the radiator is provided with a recovery tank, check the coolant level of the recovery tank. When it is between the "FULL" and "LOW" marks, the coolant will last for one day's work.



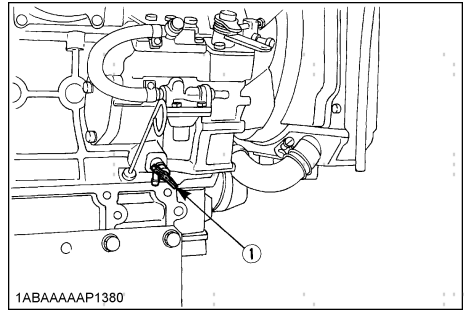
1ABAAAAAP1370

(1) Recovery tank

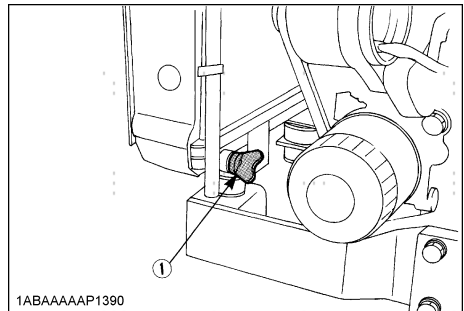
(A) "FULL"
(B) "LOW"

3. When the coolant level drops due to evaporation, add water only up to the full level.
4. Check to see that two drain cocks; one is at the crankcase side and the other is at the lower part of the radiator as figures below.

[Z482-E, Z602-E, D722-E, D902-E]



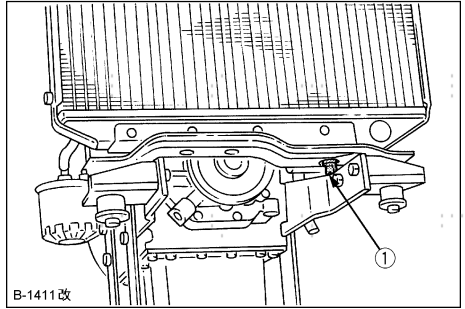
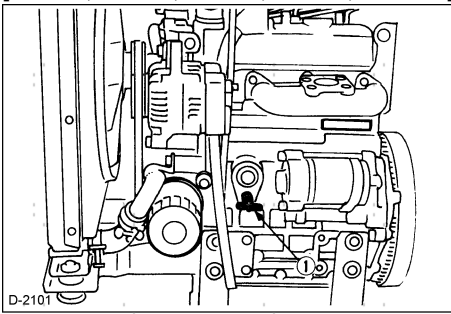
1ABAAAAAP1380



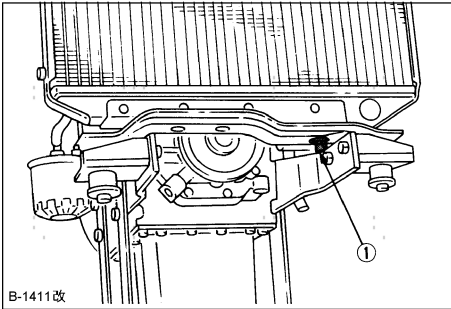
1ABAAAAAP1390

(1) Coolant drain cock

[D1005-E, D1105-E, V1305-E, V1505-E, V1505-TE]

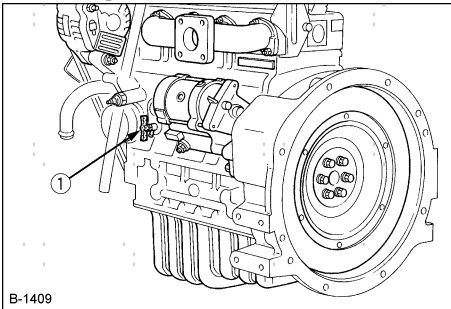


(1) Coolant drain cock

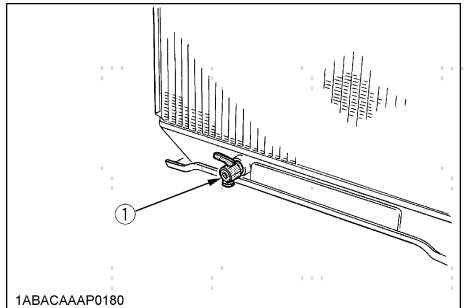
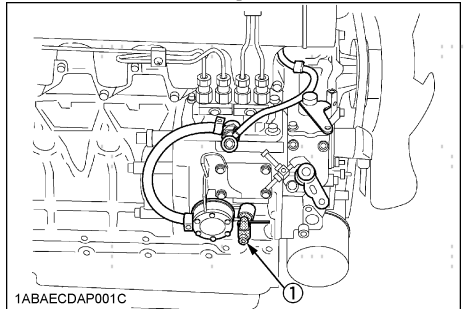


(1) Coolant drain cock

[D905-EBG, D1005-EBG, D1105-EBG, V1305-EBG, V1505-EBG]

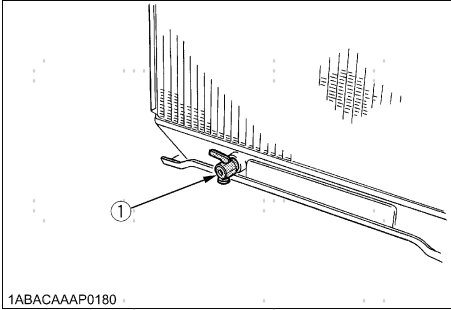


[D1503-M-E, D1703-M-E, D1803-M-E, V2003-M-E, V2203-M-E, V2003-M-T-E, V2403-M-E, D1503-M-DI-E, D1703-M-DI-E, D1803-M-DI-E, V2203-M-DI-E, V2003-M-DI-T-E, V2403-M-DI-E, V2403-M-DI-T-E, D1703-EBG, V2203-EBG]



(1) Coolant drain cock

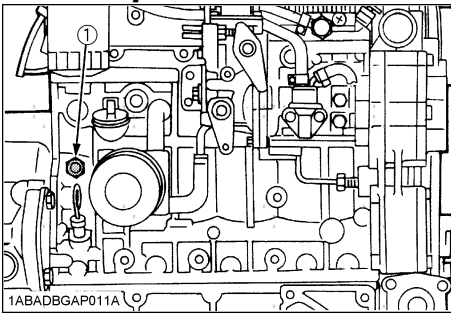
[V2607-DI-T-E, V3307-DI-T-E]



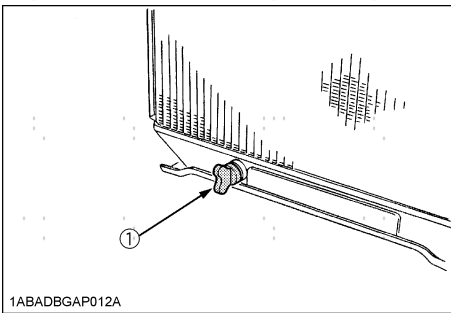
1ABACAAAP0180

(1) Coolant drain cock

[V3300-E, V3300-TE, V3300-DI-E, V3300-DI-TE, V3300-EBG, V3300-T-EBG, V3800-DI-E, V3800-DI-TE]



1ABADBGAP011A



1ABADBGAP012A

(1) Coolant drain cock

IMPORTANT :

- If the radiator cap has to be removed, follow the caution and securely retighten the cap.
- If coolant should be leak, consult your local KUBOTA dealer.
- Make sure that muddy or sea water does not enter the radiator.
- Use clean, fresh water and 50% anti-freeze to fill the recovery tank.
- Do not refill recovery tank with coolant over the "FULL" level mark.
- Be sure to close the radiator cap securely. If the cap is loose or improperly closed, coolant may leak out and decrease quickly.

■ Changing coolant

1. To drain coolant, always open both drain cocks and simultaneously open the radiator cap as well. With the radiator cap kept closed, a complete drain of water is impossible.
2. Remove the overflow pipe of the radiator pressure cap to drain the recovery tank.
3. Prescribed coolant volume (U.S.gallons)

Models	Quantity
Z482-E, Z602-E	2.8L (0.74 U.S.gals.)
D722-E, D902-E, D1005-E, D1105-E, D905-EBG, D1005-EBG, D1105-EBG	3.1L (0.82 U.S.gals.)
V1305-E, V1505-E, V1305-EBG, V1505-EBG	4.0L (1.06 U.S.gals.)
V1505-TE	5.0L (1.32 U.S.gals.)
D1503-M-E, D1703-M-E D1503-M-DI-E D1703-M-DI-E D1703-EBG	5.5L (1.45 U.S.gals.)
D1803-M-E D1803-M-DI-E	5.8L (1.53 U.S.gals.)
V2003-M-E, V2203-M-E V2203-M-DI-E V2203-EBG	8.1L (2.14 U.S.gals.)
V2003-M-T-E, V2403-M-E V2003-M-DI-T-E V2403-M-DI-E V2403-M-DI-T-E	8.4L (2.22 U.S.gals.)
V2607-DI-T-E	6.0L (1.59 U.S. gal.)
V3307-DI-T-E	6.3L (1.67 U.S. gal.)
V3300-E, V3300-TE V3300-DI-E, V3300-DI-TE V3300-EBG, V3300-T-EBG V3800-DI-E, V3800-DI-TE	9.0L (2.38 U.S. gal.)

NOTE :

- Coolant quantities shown are for standard radiators.
4. An improperly tightened radiator cap or a gap between the cap and the seat quickens loss of coolant.
 5. Check and clean the plug threads and surface and the pucking thims of the water drain plug to prevent dirt and debris from the entering the engine.
 6. Coolant (Radiator cleaner and anti-freeze)
All Seasons: Pure water and anti-freeze (See "Anti-freeze" in "RADIATOR" section.)

Remedies for quick decrease of coolant

1. Check any dust and dirt between the radiator fins and tube. If any, remove them from the fins and the tube.
2. Check the tightness of the fan belt. If loose, tighten it securely.
3. Check the internal blockage in the radiator hose. If scale forms in the hose, clean with the scale inhibitor or its equivalent.

Checking radiator hoses and clamp bands**WARNING**

To avoid personal injury or death:

- **Be sure to check radiator hoses and clamp bands periodically. If radiator hose is damaged or coolant leaks, overheats or severe burns could occur.**

Check to see if radiator hoses are properly fixed.

1. If hose clamps are loose or water leaks, tighten hose clamp securely.
 2. Replace hoses and tighten hose clamps securely, if radiator hoses are swollen, hardened or cracked.
- Replace hoses and hose clamps every 2 years or earlier, if checked and found that hoses are swollen, hardened or cracked.

Precaution at overheating

The event that the coolant temperature is nearly or more than the boiling point is called "**OVERHEATING**".

While running, make the following checks to see that all parts are working correctly. **If anything is unusual, inspect it, referring to the relevant description in "MAINTENANCE" and "PERIODIC SERVICE" section.**

◆ Coolant

If the coolant temperature warning lamp lights up or if steam or coolant does not stop squirting from the radiator overflow pipe, turn off the load and **keep the engine idling (COOLING-DOWN) for at least 5 minutes** to let it cool down gradually. Then stop the engine and take the following inspection and servicing.

1. Check to see if the coolant runs short or if there is any coolant leak;
2. Check to see if there is any obstacle around the cooling air inlet or outlet;
3. Check to see if there is any dirt or dust between radiator fins and tube;
4. Check to see if the fan belt is too loose; and
5. Check to see if radiator water pipe is clogged.

Cleaning radiator core (outside)

If dust is between the fin and tube, wash it away with running water.

IMPORTANT :

- Do not clean radiator with firm tools such as spatulas or screwdrivers. They may damage specified fin or tube. It can cause coolant leaks or decrease cooling performance.

■Anti-freeze



WARNING

To avoid personal injury or death:

- When using anti-freeze, put on some protection such as rubber gloves (Anti-freeze contains poison.).
- If it is swallowed, seek immediate medical help. Do NOT make a person throw up unless told to do so by a poison control or a health care professional. Use standard first aid and CPR for signs of shock or cardiac arrest. Call your local Poison Control Center or your local emergency number for further assistance.
- When anti-freeze comes in contact with the skin or clothing, wash it off immediately.
- Do not mix different types of anti-freeze. The mixture can produce chemical reaction causing harmful substances.
- Anti-freeze is extremely flammable and explosive under certain conditions. Keep fire and children away from anti-freeze.
- When draining fluids from the engine, place some container underneath the engine body.
- Do not pour waste onto the grounds, down a drain, or into any water source.
- Also, observe the relevant environmental protection regulations when disposing of anti-freeze.

Always use a 50/50 mix of long-life coolant and clean soft water in KUBOTA engines.

Contact KUBOTA concerning coolant for extreme conditions.

1. Long-life coolant (hereafter LLC) comes in several types. Use ethylene glycol (EG) type for this engine.
2. Before employing LLC-mixed cooling water, flush the radiator with fresh water. Repeat this procedure 2 or 3 times to clean up the radiator and engine block from inside.
3. Mixing the LLC
Premix 50% LLC with 50% clean soft water. When mixing, stir it up well, and then fill into the radiator.
4. The procedure for the mixing of water and anti-freeze differs according to the make of the anti-freeze. Refer to SAE J1034 standard, more specifically also to SAE J814c.

Vol % Anti-freeze	Freezing Point		Boiling Point *	
	°C	°F	°C	°F
50	-37	-34	108	226

*At 1.013 x 10⁵Pa (760 mmHg) pressure (atmospheric). A higher boiling point is obtained by using a radiator pressure cap which permits the development of pressure within the cooling system.

5. Adding the LLC
 - (1) Add only water if the coolant level reduces in the cooling system by evaporation.
 - (2) If there is a coolant leak, add the LLC of the same manufacturer and type in the same coolant percentage.

*Never add any long-life coolant of different manufacturer. (Different brands may have different additive components, and the engine may fail to perform as specified.)
6. When the LLC is mixed, do not employ any radiator cleaning agent. The LLC contains anti-corrosive agent. If mixed with the cleaning agent, sludge may build up, adversely affecting the engine parts.
7. Kubota's genuine long-life coolant has a service life of 2 years. Be sure to change the coolant every 2 years.

NOTE :

- The above data represent industry standards that necessitate a minimum glycol content in the concentrated anti-freeze.

AIR CLEANER

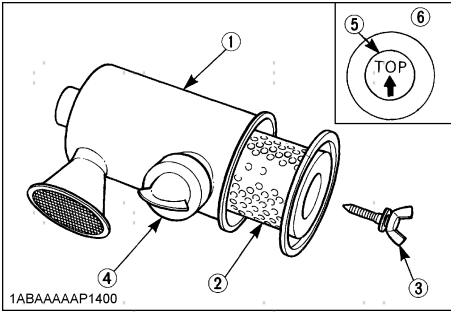
[Z482-E, Z602-E, D722-E, D902-E, D1005-E, D1105-E, V1305-E, V1505-E, V1505-TE, D905-EBG, D1005-EBG, D1105-EBG, V1305-EBG, V1505-EBG]

As the element of the air cleaner employed on this engine is a dry type, never apply oil to it.

1. Open the evacuator valve once a week under ordinary conditions-or daily when used in a dusty place-to get rid of large particles of dust and dirt.
2. Wipe the inside air cleaner clean with cloth or the like if it is dirty or wet.
3. Avoid touching the element except when cleaning.
4. When dry dust adheres to the element, blow compressed air from the inside turning the element. Pressure of compressed air must be under 205kPa (2.1kgf/cm², 30psi).
5. When carbon or oil adheres to the element, soak the element in detergent for 30 minutes, then wash it several times in water, rinse with clean water and dry it naturally.
6. After element is fully dried, inspect inside of the element with a light and check if it is damaged or not. (referring to the instructions on the label attached to the element.)
7. Replace the element every year or every six cleanings.

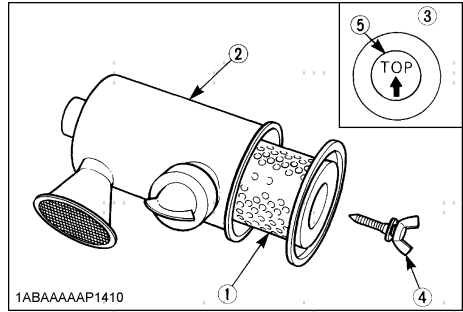
ENGLISH

[Z482-E, Z602-E, D722-E, D902-E]



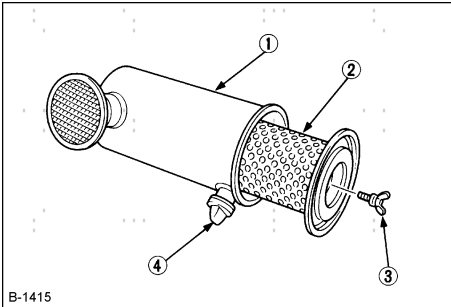
- (1) Air cleaner body
- (2) Element
- (3) Wing bolt
- (4) Evacuator valve
- (5) "TOP" mark
- (6) Dust cup

[Z482-E, Z602-E, D722-E, D902-E]



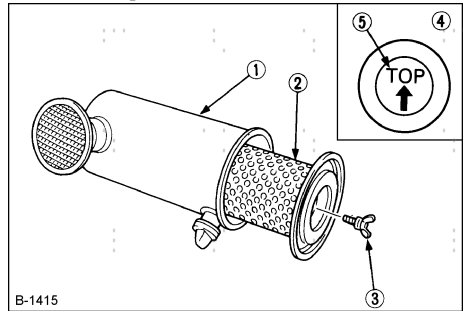
- (1) Element
- (2) Air cleaner body
- (3) Dust cup
- (4) Wing bolt
- (5) "TOP" mark

[D1005-E, D1105-E, V1305-E, V1505-E, V1505-TE, D905-EBG, D1005-EBG, D1105-EBG, V1305-EBG, V1505-EBG]



- (1) Air cleaner body
- (2) Element
- (3) Wing bolt
- (4) Evacuator valve

[D1005-E, D1105-E, V1305-E, V1505-E, V1505-TE, D905-EBG, D1005-EBG, D1105-EBG, V1305-EBG, V1505-EBG]



- (1) Air cleaner body
- (2) Element
- (3) Wing bolt
- (4) Dust cup
- (5) "TOP" mark

■ For the air cleaner with a dust cup (optional)

Remove and clean out the dust cup before it becomes half full with dust; usually once a week, or even every day if the working surroundings are dusty. Install the air cleaner dust cup with "TOP" indicated on the rear of the cup in the upside. (However, it may be installed in either direction when the cover is placed at the lower part.)

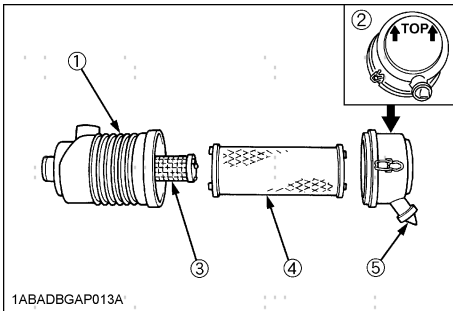
IMPORTANT :

- If the dust cup is mounted incorrectly, dust or dirt does not collect in the cup, and direct attachments of the dust to the element will cause its lifetime to shorten to a great extent.

[D1503-M-E, D1703-M-E, D1803-M-E, V2003-M-E, V2203-M-E, V2003-M-T-E, V2403-M-E, D1503-M-DI-E, D1703-M-DI-E, D1803-M-DI-E, V2203-M-DI-E, V2003-M-DI-T-E, V2403-M-DI-E, V2403-M-DI-T-E, D1703-EBG, V2203-EBG]

Since the air cleaner employed on this engine is a dry type, never apply oil to it.

1. Open the evacuator valve once a week under ordinary conditions - or daily when used in a dusty place. This will get rid of large particles of dust and dirt.
2. Wipe the inside air cleaner clean with cloth if it is dirty or wet.
3. Avoid touching the primary element except when cleaning.
4. When dry dust adheres to the primary element, blow compressed air from the inside turning the element. Pressure of compressed air must be under 205 kPa (2.1 kgf/cm², 30 psi).
5. Replace the primary element every year or every 6 cleanings. If the primary element is stained heavily, replace it soon. At this time, replace the secondary element too.
6. The secondary element should be removed only if it is to be replaced.
7. To protect the engine, do not remove the secondary element in servicing the primary element.



- 1ABADBGAP013A
- (1) Air cleaner body
 - (2) Cover
 - (3) Secondary element
 - (4) Primary element
 - (5) Evacuator valve

IMPORTANT :

- Make sure hooking clip for cover for the element is tight enough. If it is loose, dust and dirt may be sucked in, wearing down the cylinder liner and piston ring earlier, and thereby resulting in poor power output.
- Do not overservice the air cleaner element. Overservicing may cause dirt to enter the engine causing premature wear. Use the dust indicator as a guide on when to service.
- Be sure to refit the cover with the arrow ↑ (on the rear of the cover) upright. If the cover is improperly fitted, the evacuator valve will not function and dust will adhere to the element.

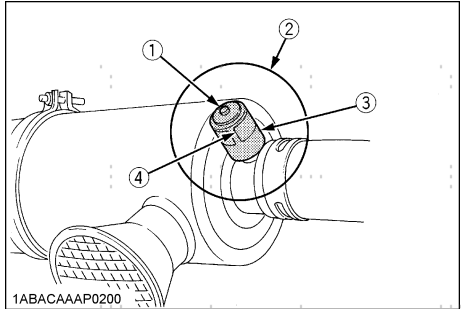
■ Evacuator valve

Open the evacuator valve once a week under ordinary conditions - or daily when used in a dusty place - to get rid of large particles of dust and dirt.

■ Dust indicator (optional)

If the red signal on the dust indicator attached to the air cleaner is visible, the air cleaner has reached the service level.

Clean the element immediately, and reset the signal with the "RESET" button.

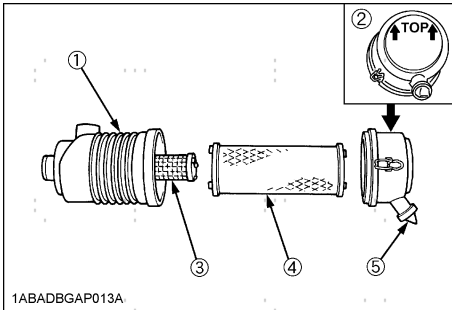


- 1ABACAAAP0200
- (1) "RESET" button
 - (2) Dust indicator
 - (3) Service level
 - (4) Signal

[V2607-DI-T-E, V3307-DI-T-E, V3300-E, V3300-TE, V3300-DI-E, V3300-DI-TE, V3300-EBG, V3300-T-EBG, V3800-DI-E, V3800-DI-TE]

Since the air cleaner employed on this engine is a dry type, never apply oil to it.

1. Open the evacuator valve once a week under ordinary conditions - or daily when used in a dusty place. This will get rid of large particles of dust and dirt.
2. Wipe the inside air cleaner clean with cloth if it is dirty or wet.
3. Avoid touching the primary element except when cleaning.
4. When dry dust adheres to the primary element, blow compressed air from the inside turning the element. Pressure of compressed air must be under 205kPa (2.1kgf/cm², 30psi).
5. When carbon or oil adheres to the primary element, soak the element in detergent for 30 minutes, then wash it several times in water, rinse with clean water and dry it naturally.
6. After the primary element is fully dried, inspect inside of the element with a light and check if it is damaged or not.
7. Replace the primary element every year or every 6 cleanings. If the primary element is stained heavily, replace it soon. At this time, replace the secondary element too.
8. The secondary element should be removed only if it is to be replaced.
9. To protect the engine, do not remove the secondary element in servicing the primary element.



- (1) Air cleaner body
- (2) Cover
- (3) Secondary element
- (4) Primary element
- (5) Evacuator valve

IMPORTANT :

- Make sure hooking clip for cover for the element is tight enough. If it is loose, dust and dirt may be sucked in, wearing down the cylinder liner and piston ring earlier, and thereby resulting in poor power output.
- Do not overservice the air cleaner element. Overservicing may cause dirt to enter the engine causing premature wear. Use the dust indicator as a guide on when to service.
- Be sure to refit the cover with the arrow ↑ (on the rear of the cover) upright. If the cover is improperly fitted, the evacuator valve will not function and dust will adhere to the element.

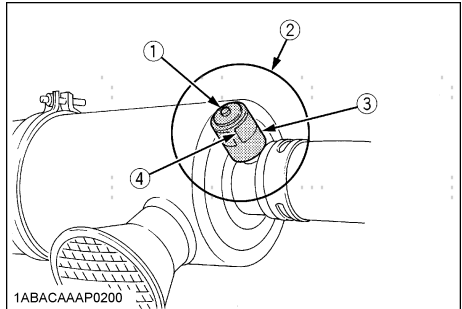
■ Evacuator valve

Open the evacuator valve once a week under ordinary conditions - or daily when used in a dusty place - to get rid of large particles of dust and dirt.

■ Dust indicator (optional)

If the red signal on the dust indicator attached to the air cleaner is visible, the air cleaner has reached the service level.

Clean the element immediately, and reset the signal with the "RESET" button.



- (1) "RESET" button
- (2) Dust indicator
- (3) Service level
- (4) Signal

BATTERY



WARNING

To avoid personal injury or death:

- Be careful not to let the battery electrolyte contact your body or clothing.
- Wear eye protection and rubber gloves, since the diluted sulfuric acid solution burns skin and eats holes in clothing. Should this occur, immediately wash it off with running water and get medical attention.

Mishandling of the battery shortens the service life and adds to maintenance costs. Obtain the maximum performance and the longest life of the battery by handling properly and with care. Engine starting will be more difficult, if the battery charge is low. Be careful to recharge it at an early occasion before it is too late.

Battery charging



DANGER

The battery comes in two types: refillable and non-refillable.

- For using the refillable type battery, follow the instructions below. Do not use or charge the battery if its fluid level stands below the LOWER (lower limit level) mark. Otherwise, the battery component parts may deteriorate earlier than expected, which may shorten the battery's service life or cause an explosion. Immediately, add distilled water until the battery's fluid level is between the UPPER and LOWER levels.

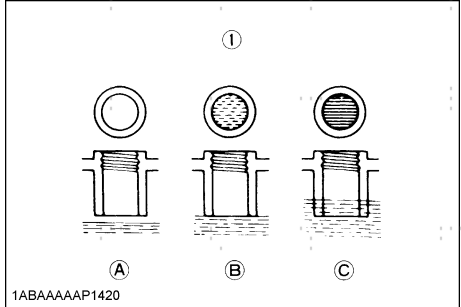


WARNING

To avoid personal injury or death:

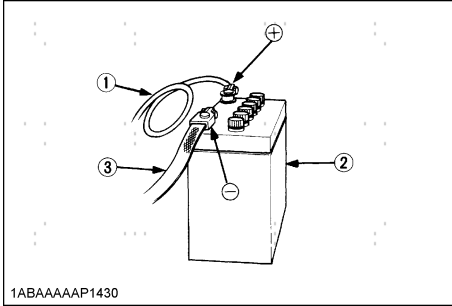
- When the battery is being activated, hydrogen and oxygen gases in the battery are extremely explosive. Keep open sparks and flames away from the battery at all times, especially when charging the battery.
- When charging the battery, remove the battery vent plugs.
- When disconnecting the cable from the battery, start with the negative terminal, and when connecting them, start with the positive terminal first.
- DO NOT check the battery charge by placing a metal object across the terminals. Use a voltmeter or hydrometer.

1. Make sure each electrolyte level is to the bottom of vent wells, if necessary, add only distilled water in a well-ventilated place.

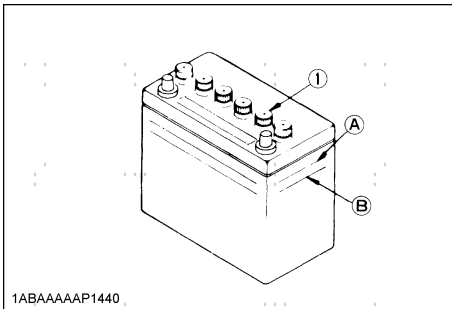


(1) Battery electrolyte level (A) "TOO LOW" (B) "PROPER" (C) "TOO HIGH"

2. To slow charge the battery, connect the charger positive terminal to the battery positive terminal, and negative to the negative.
3. Quick recharging charges the battery at a high rate in a short time. As this is only for emergencies.
4. Recharge the battery as early as possible, or battery life will be extremely shortened.
5. When exchanging an old battery into new one, use battery of equal specification shown in "SPECIFICATIONS" section.



- (1) Thick black cable
- (2) Battery case
- (3) Earth cable



- (1) Plug
- (A) "HIGHEST LEVEL"
- (B) "LOWEST LEVEL"

IMPORTANT :

- Connect the charger positive terminal to the battery positive terminal, and negative to the negative.
 - When disconnecting the cable from the battery, start with the negative terminal first.
- When connecting the cable to the battery, start with the positive terminal first.
- If reversed, the contact of tools on the battery may cause a short.

Direction for long term storage

1. When storing the engine for long periods of time, remove the battery, adjust the electrolyte to the proper level, and store in a dry and dark place.
2. The battery naturally discharges while it is stored. Recharge it once a month in summer, and every 2 months in winter.

ELECTRIC WIRING



WARNING

To avoid personal injury or death:

- ◆ Shorting of electric cable or wiring may cause a fire.
 - Check to see if electric cables and wiring are swollen, hardened or cracked.
 - Keep dust and water away from all power connections.
- Loose wiring terminal parts, make bad connections. Be sure to repair them before starting the engine.**

Damaged wiring reduces the capacity of electrical parts. Change of repair damaged wiring immediately.

1. Use automobile low voltage wiring cables for this wiring harness.
2. Use fuse and slow blow fuse as wiring protection.
3. Generally, available current of each fuse and size of wire in this drawing are recommendable value showed by Kubota, use suitable size fuses and wires for each machine to consideration to wiring setting and connection with another lines.
4. Install slow blow fuse near by battery, and install fuse box near by key switch.
5. Do not connect any parts which may cause induction current like motors to AC line.
6. Use heatproof cables, if room temperature around wire harness become over 75°C (167°F).
7. Remove painting at connecting position before installation of each cable to any parts.

FAN BELT

■ Adjusting fan belt tension



WARNING

To avoid personal injury or death:

- Be sure to stop the engine and remove the key before checking the belt tension.
- Be sure to reinstall the detached safety shield after maintenance or checking.

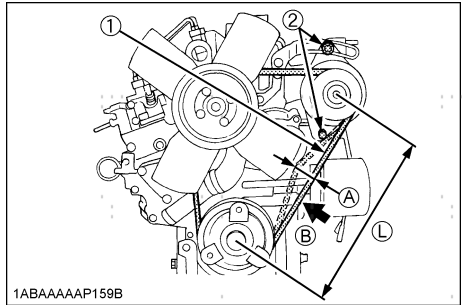
1. Stop the engine and remove the key.
2. Apply moderate thumb pressure to belt between the pulleys.
3. If tension is incorrect, loosen the alternator mounting bolts and, using a lever placed between the alternator and the engine block, pull the alternator out until the belt tension reaches the proper range.
4. Replace fan belt if it is damaged.

IMPORTANT :

- If belt is loosen or damaged and the fan is damaged, it could result in overheats or insufficient charging. Correct or replace belt.
- Use a sonic tension meter to measure tension. Make sure to measure properly according to the operation manual of the device being used.
- Measure immediately after installing the belt without rotating the pulleys. Measure at location **B** in the figure with **L** as the distance between the pulleys.
- For belt specifications, contact your KUBOTA dealer.
- If a tension meter cannot be used, adjust based on the deflection. The deflection must be as indicated by **A** in the figure, when pressing the middle of the belt between the pulleys.

[Z482-E, Z602-E, D722-E, D902-E]

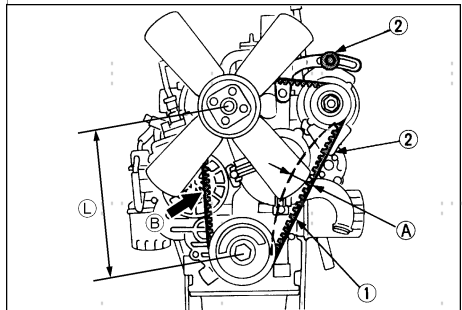
Proper fan belt tension		
Adjustment	Replacement	(A)
200 to 300 N	344 to 441 N	7 to 9 mm (0.28 to 0.35 in.) (under load of 10 kgf(22.1lbs))



- (1) Fan belt
- (2) Bolt and nut

[D1005-E, D1105-E, D1305-E, V1505-E, V1505-TE, D905-EBG, D1005-EBG, D1105-EBG, V1305-EBG, V1505-EBG]

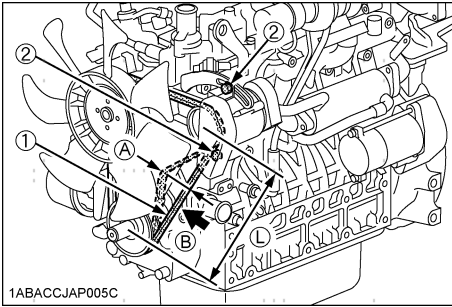
Proper fan belt tension		
Adjustment	Replacement	(A)
200 to 300 N	267 to 361 N	Approx. 10 mm (0.39 in.) (under load of 10 kgf(22.1lbs))



- (1) Fan belt
- (2) Bolt and nut

[D1503-M-E, D1703-M-E, D1803-M-E, V2003-M-E, V2203-M-E, V2203-M-T-E, V2403-M-E, D1503-M-DI-E, D1703-M-DI-E, D1803-M-DI-E, V2203-M-DI-E, V2003-M-DI-T-E, V2403-M-DI-E, V2403-M-DI-T-E, D1703-EBG, V2203-EBG]

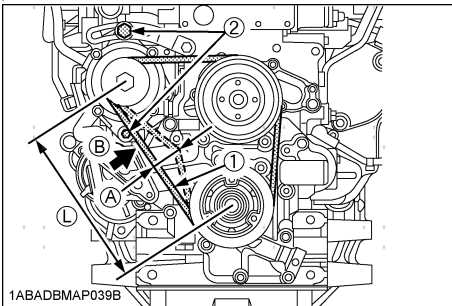
Proper fan belt tension		
Adjustment	Replacement	(A)
237 to 403 N	460 to 680 N	10 to 12mm (0.39 to 0.47 in.) (under load of 10 kgf(22.1lbs))



- (1) Fan belt
- (2) Bolt and nut

[V2607-DI-T-E, V3307-DI-T-E]

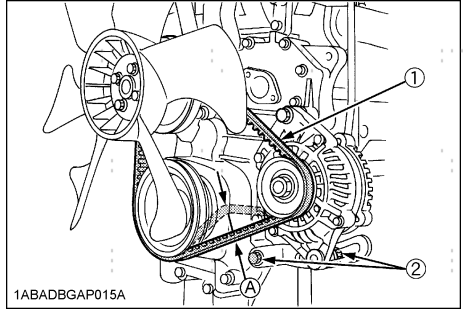
Proper fan belt tension		
Adjustment	Replacement	(A)
392 to 480 N	441 to 650 N	10 to 12mm (0.39 to 0.47 in.) (under load of 10 kgf(22.1lbs))



- (1) Fan belt
- (2) Bolt and nut

[V3300-E, V3300-TE, V3300-DI-E, V3300-DI-TE, V3300-EBG, V3300-T-EBG, V3800-DI-E, V3800-DI-TE]

Proper fan belt tension	A deflection of between 10 to 12 mm (0.39 to 0.47 in.) when the belt is pressed in the middle of the span.
-------------------------	--



- (1) Fan belt
- (2) Bolt and nut
- (A) 10 to 12 mm (0.39 to 0.47 in.)
(under load of 6~7 kgf
(13.2~15.4 lbs))

CARRIAGE AND STORAGE

CARRIAGE



WARNING

To avoid personal injury or death:

- Fix the engine securely not to fall during operation.
- Do not stand near or under the engine while carrying it.
- The engine is heavy. In handling it, be very alert not to get your hands and body caught in.

1. Use carrier such as crane when carrying the engine, or hurt your waist and yourself. Support the engine securely with rope not to fall while carrying it.
2. When lifting the engine, put the hook securely to metal fittings attached to the engine. Use strong hook and fittings enough to hang the engine.

STORAGE



WARNING

To avoid personal injury or death:

- Do not clean the machine with engine running.
- To avoid the danger of exhaust fume poisoning, do not operate the engine in a closed building without proper ventilation.
- When storing the engine just after running, let the engine cool off.

Before storing the engine for more than a few months, remove any dirt on the machine, and:

1. Drain the coolant in the radiator. Open the cock at the bottom of the radiator, and remove the pressure cap to drain water completely. Leave the cock open. Hang a note written "No water" on the pressure cap. Since water may freeze when the temperature drops below 0°C (32°F), it is very important that no water is left in the machine.
2. Remove dirty engine oil, fill with new oil and run the engine for about 5 minutes to let the oil penetrate to all the parts.
3. Check all the bolts and nuts, and tighten if necessary.
4. Remove the battery from the engine, adjust the electrolyte level, and recharge it. Store the battery in a dry and dark place.
5. When the engine is not used for a long period of time, run it for about 5 minutes under no load every 2 to 3 months to keep it free from rust. If the engine is stored without any running, moisture in the air may condense into dew over the sliding parts of the engine, resulting in rust there.
6. If you forget to run the engine for longer than 5 to 6 months, apply enough engine oil to the valve guide and valve stem seal and make sure the valve works smoothly before starting the engine.
7. Store the engine in a flat place and remove the key from engine.
8. Do not store the engine in a place where has flammable materials such as dry grass or straw.
9. When covering the engine for storage, let engine and muffler cool off completely.
10. Operate the engine after checking and repairing damaged wirings or pipes, and clearing flammable materials carried by mouse.

TROUBLESHOOTING

If the engine does not function properly, use the following chart to identify and correct the cause.

■ When it is difficult to start the engine

Cause	Countermeasures
Fuel is thick and doesn't flow.	*Check the fuel tank and fuel filter. *Remove water, dirt and other impurities. *As all fuel will be filtered by the filter, if there should be water or other foreign matters on the filter, clean the filter with kerosene.
Air or water mixed in fuel system	*If air is in the fuel filter or injection lines, the fuel pump will not work properly. To attain proper fuel injection pressure, check carefully for loosened fuel line coupling, loose cap nut, etc. *Loosen air vent screws stop fuel filter and fuel injection pump to eliminate all the air in the fuel system.
Thick carbon deposits on orifice of injection nozzle.	*This is caused when water or dirt is mixed in the fuel. Clean the nozzle injection piece, being careful not to damage the orifice. *Check to see if nozzle is working properly or not. If not, install a new nozzle.
Valve clearance is not as specified.	*Adjust valve clearance when the engine is cold.
Leaking valves	*Grind valve.
Fuel injection timing is not as specified.	*Check injection timing.
Engine oil becomes thick in cold weather and engine cranks slow.	*Change grade of oil according to the weather (temperature.)
Low compression	*Bad valve or excessive wear of rings, pistons and liners cause insufficient compression. Replace with new parts.
Battery is discharged and the engine will not crank.	*Charge battery. *In winter, always remove battery from machine, charge fully and keep indoors. Install in machine at time of use.

■ When output is insufficient

Cause	Countermeasures
Carbon stuck around orifice of nozzle piece	*Clean orifice and needle valve, being very careful not to damage the nozzle orifice. *Check nozzle to see if good. If not, replace with new parts.
Compression is insufficient. Leaking valves	*Bad valve and excessive wear of rings, pistons and liners cause insufficient compression. Replace with new parts. *Grind valves.
Fuel is insufficient.	*Check fuel system.
Overheating of moving parts	*Check lubricating oil system. *Check to see if lubricating oil filter is working properly. *Filter element deposited with impurities would cause poor lubrication. Change element. *Check the clearance of bearing are within factory specs. *Check injection timing. *Adjust timing.
Valve clearance is not as specified.	*Adjust to proper valve clearance when the engine is cold.
Air cleaner is dirty	*Clean the element every 100 hours of operation.
Fuel injection pressure is not as specified.	*Check injection pressure.
Injection pump wear	*Do not use poor quality fuel for it will cause wear of the pump. Only use No. 2-D diesel fuel. *Check the fuel injection pump element and delivery valve assembly and replace as necessary.

NOTE :

- If the cause of trouble can not be found, contact your KUBOTA dealer.

When engine suddenly stops

Cause	Countermeasures
Lack of fuel	*Check the fuel tank and refill the fuel, if necessary. *Also check the fuel system for air or leaks.
Bad nozzle	*If necessary, replace with a new nozzle.
Moving parts are overheated due to shortage of lubrication oil or improper lubrication.	*Check amount of engine oil with oil level gauge. *Check lubricating oil system. *At every 2 times of oil change, oil filter cartridge should be replaced. *Check to see if the engine bearing clearances is within factory specs.

NOTE :

- When the engine has suddenly stopped, decompress the engine by the decomp and turn the engine lightly by pulling on the fan belt. If the engine turns easily without abnormalities, the cause of the trouble is usually lack of fuel or bad nozzle.

When color of exhaust is especially bad

Cause	Countermeasures
Fuel governing device bad	*Contact dealer for repairs.
Fuel is of extremely poor quality.	*Select good quality fuel. Use No. 2-D diesel fuel only.
Nozzle is bad.	*If necessary, replace with new nozzle.
Combustion is incomplete.	*Cause is poor atomization, improper injection timing, etc. Because of trouble in injection system or in poor valve adjustment, or compression leakage, poor compression, etc. Check for the cause.

When engine must be stopped immediately

Cause	Countermeasures
Engine revolution suddenly decreases or increases.	*Check the adjustments, injection timing and the fuel system.
Unusual sound is heard suddenly.	*Check all moving parts carefully.
Color of exhaust suddenly turns dark.	*Check the fuel injection system, especially the fuel injection nozzle.
Bearing parts are overheated.	*Check the lubricating system.
Oil lamp lights up during operation.	*Check the lubricating system. *Check, if the engine bearing clearances are within factory specs. *Check the function of the relieve valve in the lubricating system. *Check pressure switch. *Check filter base gasket.

When engine overheats

Cause	Countermeasures
Engine oil insufficient	*Check oil level. Replenish oil as required.
Fan belt broken or elongated	*Change belt or adjust belt tension.
Coolant insufficient	*Replenish coolant.
Excessive concentration of antifreeze	*Add water only or change to coolant with the specified mixing ratio.
Radiator net or radiator fin clogged with dust	*Clean net or fin carefully.
Inside of radiator or coolant flow route corroded	*Clean or replace radiator and parts.
Fan or radiator or radiator cap defective	*Replace defective parts.
Thermostat defective	*Check thermostat and replace if necessary.
Temperature gauge or sensor defective	*Check temperature with thermometer and replace if necessary.
Overload running	*Reduce load.
Head gasket defective or water leakage	*Replace parts.
Incorrect injection timing	*Adjust to proper timing.
Unsuitable fuel used	*Use the specified fuel.

SPECIFICATIONS

Model	Z482-E	Z602-E	D722-E	D902-E
Type	Vertical, water-cooled, 4-cycle diesel engine			
Number of cylinders	2		3	
Bore and stroke mm (in.)	67 × 68 (2.64 × 2.68)	72 × 73.6 (2.83 × 2.90)	67 × 68 (2.64 × 2.68)	72 × 73.6 (2.83 × 2.90)
Total displacement L (cu.in.)	0.479 (29.23)	0.599 (36.55)	0.719 (43.88)	0.898 (54.80)
Combustion chamber	Spherical Type (ETVCS)			
SAE NET Intermittent kW / rpm H.P. (SAEJ1349) (HP / rpm)	9.32 / 3600 (12.5 / 3600)	11.6 / 3600 (15.6 / 3600)	14.0 / 3600 (18.8 / 3600)	17.5 / 3600 (23.5 / 3600)
SAE NET Continuous kW / rpm H.P. (SAEJ1349) (HP / rpm)	8.05 / 3600 (10.8 / 3600)	10.1 / 3600 (13.5 / 3600)	12.15 / 3600 (16.3 / 3600)	15.2 / 3600 (20.4 / 3600)
Maximum bare speed rpm	3800	3850	3800	3850
Minimum bare idling speed rpm	800 to 900	900 to 1000	800 to 900	900 to 1000
Order of firing	1-2		1-2-3	
Direction of rotation	Counter-clockwise (viewed from flywheel side)			
Injection pump	Bosch MD Type mini pump			
Injection pressure	13.73 MPa, 1991 psi(140 kgf/cm ²)			
Injection timing (Before T.D.C.)	0.366 rad (20°)	0.35 rad (20°)	0.366 rad (20°)	0.35 rad (20°)
Compression ratio	23.5:1	24:1	23.5:1	24:1
Fuel	Diesel Fuel No.2-D			
Lubricant (API classification)	above CF grade			
Dimension mm (in.) (length × width × height)	351 × 389 × 520 (13.82 × 15.31 × 20.47)	385 × 421 × 544 (15.16 × 16.57 × 21.42)	426 × 389 × 520 (16.77 × 15.31 × 20.47)	467 × 421 × 544 (18.39 × 16.57 × 21.42)
Dry weight (BB Spec.) kg (lbs.)	53.1 (117.1)	57.0 (125.7)	63.1 (139.1)	72.0 (158.7)
Starting system	Cell starter (with glow plug)			
Starting motor	12 V, 0.8 kW	12 V, 1.0 kW	12 V, 0.8 kW	12 V, 1.2 kW
Charging generator	12 V, 150 W	12 V, 480 W	12 V, 150 W	12 V, 480 W
Recommended battery capacity (5Hr capacity)	12 V, 28 AH, equivalent	12 V, 36 AH, equivalent		12 V, 52 AH, equivalent

NOTE :

- Specifications are subject to change without notice.
- The battery capacity is indicated in 5-hour ratio.

50 SPECIFICATIONS

Model	D1005-E		D1105-E		V1305-E		V1505-E		V1505-TE	
Type	Vertical, water-cooled, 4-cycle diesel engine									
Number of cylinders	3					4				
Bore and stroke mm (in.)	76 × 73.6 (2.99 × 2.90)		78 × 78.4 (3.07 × 3.09)		76 × 73.6 (2.99 × 2.90)		78 × 78.4 (3.07 × 3.09)			
Total displacement L (cu.in.)	1.001 (61.08)		1.123 (68.53)		1.335 (81.47)		1.498 (91.41)			
Combustion chamber	Spherical Type (E-TVCS)									
SAE NET Intermittent kW/min ⁻¹ (rpm)	16.8 / 3000	19.4 / 3600	18.7 / 3000 (25.0 / 3000)		22.4 / 3000	25.7 / 3600	25.0 / 3000 (33.5 / 3000)		31.3 / 3000 (42.0 / 3000)	
H.P. (SAEJ1349) (HP/min ⁻¹ (rpm))	(22.5 / 3000)	(26.0 / 3600)			(30.0 / 3000)	(34.5 / 3600)				
SAE NET Continuous kW/min ⁻¹ (rpm)	14.2 / 3000	16.8 / 3600	16.4 / 3000 (22.0 / 3000)		19.0 / 3000	22.4 / 3600	21.6 / 3000 (29.0 / 3000)		27.2 / 3000 (36.5 / 3000)	
H.P. (SAEJ1349) (HP/min ⁻¹ (rpm))	(19.0 / 3000)	(22.5 / 3600)			(25.5 / 3000)	(30.0 / 3600)				
Maximum bare speed min ⁻¹ (rpm)	3200	3800	3200		3200	3800	3200			
Minimum bare idling speed min ⁻¹ (rpm)	850~950					800~900				
Order of firing	1-2-3					1-3-4-2				
Direction of rotation	Counter-clockwise (viewed from flywheel side)									
Injection pump	Bosch MD Type Mini Pump									
Injection pressure	13.73 MPa (140 kgf/cm ² , 1991 psi)									
Injection timing (Before T.D.C.)	18°	21°	18°		18°	21°	18°			
Compression ratio	24:1					24:1			23.5:1	
Fuel	Diesel Fuel No.2-D (ASTM D975)									
Lubricant (API classification)	above CF grade									
Dimensions mm (in.) (length × width × height)	497.8 × 396 × 608.7 (19.60 × 15.59 × 23.96)				583.8 × 396 × 613.7 (22.98 × 15.59 × 24.16)		591.3 × 396 × 613.7 (23.28 × 15.59 × 24.16)		591.3 × 439.2 × 613.7 (23.18 × 17.29 × 24.16)	
Dry weight kg (lbs.)	93 (205.0)				110 (242.5)			114 (251.3)		
Starting system	Cell starter (with glow plug)									
Starting motor	12 V, 1.0 kW					12 V, 1.2 kW				
Charging generator	12 V, 360 W									
Recommended battery capacity	12 V, 65 AH, equivalent					12 V, 70 AH, equivalent				

NOTE :

- Specifications are subject to change without notice.

Model	D905-EBG1	D905-EBG2
Type	Vertical, water-cooled, 4-cycle diesel engine	
Number of cylinders	3	
Bore and stroke mm (in.)	72 × 73.6 (2.83 × 2.90)	
Total displacement L (cu.in.)	0.898 (54.80)	
Combustion chamber	Spherical Type (E-TVCS)	
SAE NET Continuous kW/min ⁻¹ (rpm) H.P. (SAEJ1349) (HP/min ⁻¹ (rpm))	7.8 / 1800 (10.5 / 1800)	6.5 / 1500 (8.8 / 1500)
SAE Standby kW/min ⁻¹ (rpm) H.P. (SAEJ1349) (HP/min ⁻¹ (rpm))	8.8 / 1800 (11.9 / 1800)	7.3 / 1500 (9.9 / 1500)
Maximum bare speed min ⁻¹ (rpm)	1890	1575
Minimum bare idling speed min ⁻¹ (rpm)	800~900	
Order of firing	1-2-3	
Direction of rotation	Counter-clockwise (viewed from flywheel side)	
Injection pump	Bosch MD Type Mini Pump	
Injection pressure	140 kgf/cm ² (13.73 MPa, 1991 psi)	
Injection timing (Before T.D.C.)	16.5°	
Compression ratio	22:1	
Fuel	Diesel Fuel No.2-D (ASTM D975)	
Lubricant (API classification)	above CF grade	
Dimensions mm (in.) (length × width × height)	549.3 × 398 × 608.7 (21.63 × 15.67 × 23.96)	
Dry weight kg (lbs.)	110 (242.5)	
Starting system	Cell starter (with glow plug)	
Starting motor	12 V, 1.0 kW	
Charging generator	12 V, 360 W	
Recommended battery capacity	12 V, 65 AH, equivalent	

NOTE :

- Model EBG1 is 1800rpm for 60Hz, EBG2 is 1500rpm for 50Hz.
- Flywheel type is SAE clutch No. 6-1/2 or its equivalent.
- Flywheel housing type is SAE No. 5 or its equivalent.
- Governor drop is within 5%
- Continuous will operate at the stated rating continuously and have a 10% overload capability for one hour in 12 hours.
- Standby will operate at the stated full rating for one hour in 12 hours. No overload capacity is specified for this rating.
- **Specifications are subject to change without notice.**

Model	D1005-EBG1	D1005-EBG2	D1105-EBG1	D1105-EBG2
Type	Vertical, water-cooled, 4-cycle diesel engine			
Number of cylinders	3			
Bore and stroke mm (in.)	76 × 73.6 (2.99 × 2.90)		78 × 78.4 (3.07 × 3.09)	
Total displacement L (cu.in.)	1.001 (61.08)		1.123 (68.53)	
Combustion chamber	Spherical Type (E-TVCS)			
SAE NET Continuous kW/min ⁻¹ (rpm) H.P. (SAEJ1349) (HP/min ⁻¹ (rpm))	8.6 / 1800 (11.6 / 1800)	7.2 / 1500 (9.7 / 1500)	10.1 / 1800 (13.6 / 1800)	8.4 / 1500 (11.3 / 1500)
SAE Standby kW/min ⁻¹ (rpm) H.P. (SAEJ1349) (HP/min ⁻¹ (rpm))	9.7 / 1800 (13.1 / 1800)	8.2 / 1500 (11.0 / 1500)	11.4 / 1800 (15.4 / 1800)	9.5 / 1500 (12.8 / 1500)
Maximum bare speed min ⁻¹ (rpm)	1890	1575	1890	1575
Minimum bare idling speed min ⁻¹ (rpm)	800~900			
Order of firing	1-2-3			
Direction of rotation	Counter-clockwise (viewed from flywheel side)			
Injection pump	Bosch MD Type Mini Pump			
Injection pressure	140 kgf / cm ² (13.73 MPa, 1991 psi)			
Injection timing (Before T.D.C.)	16.5°			
Compression ratio	22:1			
Fuel	Diesel Fuel No.2-D (ASTM D975)			
Lubricant (API classification)	above CF grade			
Dimensions mm (in.) (length × width × height)	549.3 × 398 × 608.7 (21.63 × 15.67 × 23.96)			
Dry weight kg (lbs.)	110 (242.5)			
Starting system	Cell starter (with glow plug)			
Starting motor	12 V, 1.0 kW			
Charging generator	12 V, 360 W			
Recommended battery capacity	12 V, 65 AH, equivalent			

NOTE :

- Model EBG1 is 1800rpm for 60Hz, EBG2 is 1500rpm for 50Hz.
- Flywheel type is SAE clutch No. 6-1/2 or its equivalent.
- Flywheel housing type is SAE No. 5 or its equivalent.
- Governor drop is within 5%
- Continuous will operate at the stated rating continuously and have a 10% overload capability for one hour in 12 hours.
- Standby will operate at the stated full rating for one hour in 12 hours. No overload capacity is specified for this rating.
- **Specifications are subject to change without notice.**

Model	V1305-EBG1	V1305-EBG2	V1505-EBG1	V1505-EBG2
Type	Vertical, water-cooled, 4-cycle diesel engine			
Number of cylinders	4			
Bore and stroke mm (in.)	76 × 73.6 (2.99 × 2.90)		78 × 78.4 (3.07 × 3.09)	
Total displacement L (cu.in.)	1.335 (81.47)		1.498 (91.41)	
Combustion chamber	Spherical Type (E-TVCS)			
SAE NET Continuous kW/min ⁻¹ (rpm) H.P. (SAEJ1349) (HP/min ⁻¹ (rpm))	11.5 / 1800 (15.5 / 1800)	9.6 / 1500 (12.9 / 1500)	13.3 / 1800 (17.9 / 1800)	11.1 / 1500 (14.9 / 1500)
SAE Standby kW/min ⁻¹ (rpm) H.P. (SAEJ1349) (HP/min ⁻¹ (rpm))	13.0 / 1800 (17.5 / 1800)	10.8 / 1500 (14.6 / 1500)	15.0 / 1800 (20.2 / 1800)	12.5 / 1500 (16.8 / 1500)
Maximum bare speed min ⁻¹ (rpm)	1890	1575	1890	1575
Minimum bare idling speed min ⁻¹ (rpm)	800~900			
Order of firing	1-3-4-2			
Direction of rotation	Counter-clockwise (viewed from flywheel side)			
Injection pump	Bosch MD Type Mini Pump			
Injection pressure	140 kgf / cm ² (13.73 MPa, 1991 psi)			
Injection timing (Before T.D.C.)	16.5°			
Compression ratio	22:1			
Fuel	Diesel Fuel No.2-D (ASTM D975)			
Lubricant (API classification)	above CF grade			
Dimensions mm (in.) (length × width × height)	634.3 × 398 × 613.7 (24.97 × 15.67 × 24.16)			
Dry weight kg (lbs.)	127 (280.0)			
Starting system	Cell starter (with glow plug)			
Starting motor	12 V, 1.2 kW			
Charging generator	12 V, 360 W			
Recommended battery capacity	12 V, 70 AH, equivalent			

NOTE :

- Model EBG1 is 1800rpm for 60Hz, EBG2 is 1500rpm for 50Hz.
- Flywheel type is SAE clutch No. 6-1/2 or its equivalent.
- Flywheel housing type is SAE No. 5 or its equivalent.
- Governor drop is within 5%
- Continuous will operate at the stated rating continuously and have a 10% overload capability for one hour in 12 hours.
- Standby will operate at the stated full rating for one hour in 12 hours. No overload capacity is specified for this rating.
- **Specifications are subject to change without notice.**

Model	D1503-M-E	D1703-M-E	D1803-M-E
Type	Vertical, water-cooled, 4-cycle diesel engine		
Number of cylinders	3		
Bore and stroke mm (in.)	83 × 92.4 (3.27 × 3.64)	87 × 92.4 (3.43 × 3.64)	87 × 102.4 (3.43 × 4.03)
Total displacement L (cu.in.)	1.499 (91.47)	1.647 (100.51)	1.826 (111.43)
Combustion chamber	Spherical Type (E-TVCS)		
SAE Gross Intermittent kW / rpm H.P. (SAEJ1349) (HP / rpm)	24.9 / 2800 (33.4 / 2800)	27.4 / 2800 (36.7 / 2800)	28.4 / 2600 (38.1 / 2600)
SAE NET Intermittent kW / rpm H.P. (SAEJ1349) (HP / rpm)	22.8 / 2800 (30.6 / 2800)	25.6 / 2800 (34.3 / 2800)	27.1 / 2600 (36.3 / 2600)
SAE NET Continuous kW / rpm H.P. (SAEJ1349) (HP / rpm)	19.8 / 2800 (26.6 / 2800)	22.2 / 2800 (29.8 / 2800)	23.5 / 2600 (31.6 / 2600)
Maximum bare speed rpm	3000		2800
Minimum bare idling speed rpm	750 to 850		
Order of firing	1-2-3		
Direction of rotation	Counter-clockwise (viewed from flywheel side)		
Injection pump	Bosch Type mini pump		
Injection pressure Mpa (kgf/cm ² , psi)	13.73 (140, 1991)		
Injection timing (Before T.D.C.)	0.314 rad (18°)		
Compression ratio	23.0	22.6	23.8
Fuel	Diesel Fuel No.2-D		
Lubricant (API classification)	above CF grade		
Dimension mm (in.) (length × width × height)	572.1 × 499.0 × 660.0 (22.5 × 19.6 × 26.0)		575.9 × 499.0 × 655.0 (22.7 × 19.6 × 26.2)
Dry weight kg (lbs.)	148 (326.4)		151 (33)
Starting system	Cell starter (with glow plug)		
Starting motor	12 V, 1.4 kW		12 V, 2.0 kW
Charging generator	12 V, 480 W		
Recommended battery capacity	12 V, 70 to 80 AH		12 V, 100 to 120 AH

NOTE :

- Specifications are subject to change without notice.

Model	V2003-M-E	V2203-M-E
Type	Vertical, water-cooled, 4-cycle diesel engine	
Number of cylinders	4	
Bore and stroke mm (in.)	83 × 92.4 (3.27 × 3.64)	87 × 92.4 (3.43 × 3.64)
Total displacement L (cu.in.)	1.999 (121.99)	2.197 (134.07)
Combustion chamber	Spherical Type (E-TVCS)	
SAE Gross Intermittent kW / rpm H.P. (SAEJ1349) (HP / rpm)	33.2 / 2800 (44.5 / 2800)	36.4 / 2800 (48.8 / 2800)
SAE NET Intermittent kW / rpm H.P. (SAEJ1349) (HP / rpm)	30.4 / 2800 (40.7 / 2800)	33.5 / 2800 (45.0 / 2800)
SAE NET Continuous kW / rpm H.P. (SAEJ1349) (HP / rpm)	26.4 / 2800 (35.4 / 2800)	29.1 / 2800 (39.0 / 2800)
Maximum bare speed rpm	3000	
Minimum bare idling speed rpm	750 to 850	
Order of firing	1-3-4-2	
Direction of rotation	Counter-clockwise (viewed from flywheel side)	
Injection pump	Bosch Type mini pump	
Injection pressure Mpa (kgf/cm ² , psi)	13.73 (140, 1991)	
Injection timing (Before T.D.C.)	0.314 rad (18°)	
Compression ratio	23.0	22.6
Fuel	Diesel Fuel No.2-D	
Lubricant (API classification)	above CF grade	
Dimension mm (in.) (length × width × height)	667.1 × 499.0 × 659.5 (26.3 × 19.6 × 26.0)	
Dry weight kg (lbs.)	180 (397)	
Starting system	Cell starter (with glow plug)	
Starting motor	12 V, 1.4 kW	
Charging generator	12 V, 480 W	
Recommended battery capacity	12 V, 100 to 120 AH	

NOTE :

- Specifications are subject to change without notice.

Model	V2003-M-T-E	V2403-M-E
Type	Vertical, water-cooled, 4-cycle diesel engine	
Number of cylinders	4	
Bore and stroke mm (in.)	83 × 92.4 (3.27 × 3.64)	87 × 102.4 (3.43 × 4.03)
Total displacement L (cu.in.)	1.999 (121.99)	2.434 (148.53)
Combustion chamber	Spherical Type (E-TVCS)	
SAE Gross Intermittent kW / rpm H.P. (SAEJ1349) (HP / rpm)	44.0 / 2800 (59.0 / 2800)	36.5 / 2600 (48.9 / 2600)
SAE NET Intermittent kW / rpm H.P. (SAEJ1349) (HP / rpm)	41.0 / 2800 (55.0 / 2800)	34.3 / 2600 (46.0 / 2600)
SAE NET Continuous kW / rpm H.P. (SAEJ1349) (HP / rpm)	35.6 / 2800 (47.8 / 2800)	29.8 / 2600 (39.9 / 2600)
Maximum bare speed rpm	3000	2800
Minimum bare idling speed rpm	850 to 950	750 to 850
Order of firing	1-3-4-2	
Direction of rotation	Counter-clockwise (viewed from flywheel side)	
Injection pump	Bosch Type mini pump	
Injection pressure Mpa (kgf/cm ² , psi)	13.73 (140, 1991)	
Injection timing (Before T.D.C.)	0.314 rad (18°)	
Compression ratio	22.0	23.8
Fuel	Diesel Fuel No.2-D	
Lubricant (API classification)	above CF grade	
Dimension mm (in.) (length × width × height)	667.1 × 499.0 × 698.3 (26.3 × 19.6 × 27.5)	670.9 × 499.0 × 664.5 (26.4 × 19.6 × 26.2)
Dry weight kg (lbs.)	180 (410)	184 (406)
Starting system	Cell starter (with glow plug)	
Starting motor	12 V, 1.4 kW	12 V, 2.0 kW
Charging generator	12 V, 480 W	
Recommended battery capacity	12 V, 100 to 120 AH	

NOTE :

- Specifications are subject to change without notice.

Model	D1503-M-DI-E	D1703-M-DI-E
Type	Vertical, water-cooled, 4-cycle diesel engine	
Number of cylinders	3	
Bore and stroke mm (in.)	83 × 92.4 (3.27 × 3.64)	87 × 92.4 (3.43 × 3.64)
Total displacement L (cu.in.)	1.499 (91.47)	1.647 (100.51)
Combustion chamber	Re-entrant Type (Direct Injection)	
SAE Gross Intermittent kW / rpm H.P. (SAEJ1349) (HP / rpm)	24.9 / 2800 (33.4 / 2800)	27.4 / 2800 (36.7 / 2800)
SAE NET Intermittent kW / rpm H.P. (SAEJ1349) (HP / rpm)	23.7 / 2800 (31.8 / 2800)	25.6 / 2800 (34.3 / 2800)
SAE NET Continuous kW / rpm H.P. (SAEJ1349) (HP / rpm)	20.6 / 2800 (27.6 / 2800)	22.2 / 2800 (29.8 / 2800)
Maximum bare speed rpm	3000	
Minimum bare idling speed rpm	850 to 950	
Order of firing	1-2-3	
Direction of rotation	Counter-clockwise (viewed from flywheel side)	
Injection pump	Bosch "K" Type mini pump	
Injection pressure Mpa (kg/cm ² , psi)	1st Stage 18.6 (190, 2702) 2nd Stage 22.6 (230, 3271)	
Injection timing (Before T.D.C.)	0.127 rad (7.25°)	0.134 rad (7.7°)
Compression ratio	20	
Fuel	Diesel Fuel No.2-D	
Lubricant (API classification)	above CF grade	
Dimension mm (in.) (length × width × height)	572.1 × 499.0 × 666.0 (22.5 × 19.6 × 26.0)	
Dry weight kg (lbs.)	148 (326)	
Starting system	Cell starter (with glow plug)	
Starting motor	12 V, 1.2 kW	
Charging generator	12 V, 360 W	12 V, 480 W
Recommended battery capacity	12 V, 60 AH	

NOTE :

- Specifications are subject to change without notice.

Model	D1803-M-DI-E	V2203-M-DI-E
Type	Vertical, water-cooled, 4-cycle diesel engine	
Number of cylinders	3	4
Bore and stroke mm (in.)	87 × 102.4 (3.43 × 4.03)	87 × 92.4 (3.43 × 3.64)
Total displacement L (cu.in.)	1.826 (111.43)	2.197 (134.07)
Combustion chamber	Re-entrant Type (Direct Injection)	
SAE Gross Intermittent kW / rpm H.P. (SAEJ1349) (HP / rpm)	28.4 / 2600 (38.1 / 2600)	36.4 / 2800 (48.8 / 2800)
SAE NET Intermittent kW / rpm H.P. (SAEJ1349) (HP / rpm)	27.1 / 2600 (36.3 / 2600)	34.8 / 2800 (46.7 / 2800)
SAE NET Continuous kW / rpm H.P. (SAEJ1349) (HP / rpm)	23.5 / 2600 (31.6 / 2600)	30.2 / 2800 (40.5 / 2800)
Maximum bare speed rpm	2800	3000
Minimum bare idling speed rpm	850 to 950	
Order of firing	1-2-3	1-3-4-2
Direction of rotation	Counter-clockwise (viewed from flywheel side)	
Injection pump	Bosch "K" Type mini pump	
Injection pressure Mpa (kg/cm ² , psi)	1st Stage 18.6 (190, 2702) 2nd Stage 22.6 (230, 3271)	
Injection timing (Before T.D.C.)	0.096 rad (5.5°)	0.143 rad (8.2°)
Compression ratio	20	
Fuel	Diesel Fuel No.2-D	
Lubricant (API classification)	above CF grade	
Dimension mm (in.) (length × width × height)	575.9 × 499.0 × 665.0 (22.7 × 19.6 × 26.2)	667.1 × 499.0 × 659.0 (26.3 × 19.6 × 26.0)
Dry weight kg (lbs.)	151 (333)	180 (397)
Starting system	Cell starter (with glow plug)	
Starting motor	12 V, 1.4 kW	
Charging generator	12 V, 480 W	
Recommended battery capacity	12 V, 88 AH	

NOTE :

- Specifications are subject to change without notice.

Model	V2003-M-DI-T-E	V2403-M-DI-E	V2403-M-DI-T-E
Type	Vertical, water-cooled, 4-cycle diesel engine		
Number of cylinders	4		
Bore and stroke mm (in.)	83 × 92.4 (3.27 × 3.64)	87 × 102.4 (3.43 × 4.03)	
Total displacement L (cu.in.)	1.999 (121.99)	2.434 (148.53)	
Combustion chamber	Re-entrant Type (Direct Injection)		
SAE Gross Intermittent H.P. (SAEJ1349) kW / rpm (HP / rpm)	44.0 / 2800 (59.0 / 2800)	36.5 / 2600 (48.9 / 2600)	40.0 / 2200 (53.6 / 2200)
SAE NET Intermittent H.P. (SAEJ1349) kW / rpm (HP / rpm)	41.0 / 2800 (55.0 / 2800)	35.0 / 2600 (46.9 / 2600)	38.0 / 2200 (51.0 / 2200)
SAE NET Continuous H.P. (SAEJ1349) kW / rpm (HP / rpm)	35.6 / 2800 (47.8 / 2800)	30.4 / 2600 (40.8 / 2600)	33.0 / 2200 (44.2 / 2200)
Maximum bare speed rpm	3000	2800	2500
Minimum bare idling speed rpm	850 to 950		
Order of firing	1-3-4-2		
Direction of rotation	Counter-clockwise (viewed from flywheel side)		
Injection pump	Bosch "K" Type mini pump		
Injection pressure Mpa (kg/cm ² , psi)	1st Stage 18.6 (190, 2702) 2nd Stage 22.6 (230, 3271)		
Injection timing (Before T.D.C.)	0.161 rad (9.25°)	0.113 rad (6.5°)	0.105 rad (6.0°)
Compression ratio	20		
Fuel	Diesel Fuel No.2-D		
Lubricant (API classification)	above CF grade		
Dimension mm (in.) (length × width × height)	667.1 × 499.0 × 683.9 (29.3 × 19.6 × 26.9)	670.9 × 499.0 × 664.5 (26.4 × 19.6 × 26.2)	685.9 × 499.0 × 727.8 (27.0 × 19.6 × 28.7)
Dry weight kg (lbs.)	184 (406)		188 (414)
Starting system	Cell starter (with glow plug)		
Starting motor	12 V, 1.4 kW	12 V, 2.0 kW	
Charging generator	12 V, 480 W		
Recommended battery capacity	12 V, 88 AH	12 V, 92 AH	

NOTE :

- Specifications are subject to change without notice.

Model	D1703-EBG	V2203-EBG
Type	Vertical, water-cooled, 4-cycle diesel engine	
Number of cylinders	3	4
Bore and stroke mm (in.)	87 × 92.4 (3.43 × 3.64)	
Total displacement L (cu.in.)	1.647 (100.51)	2.197 (134.07)
Combustion chamber	Spherical Type (E-TVCS)	
SAE NET Continuous kW / rpm	15.1 / 1800 (20.3 / 1800)	20.2 / 1800 (27.1 / 1800)
H.P. (SAEJ1349) (HP / rpm)	12.8 / 1500 (17.2 / 1500)	17.2 / 1500 (23.0 / 1500)
SAE Standby kW / rpm	18.1 / 1800 (24.3 / 1800)	24.2 / 1800 (32.5 / 1800)
H.P. (SAEJ1349) (HP / rpm)	15.0 / 1500 (20.1 / 1500)	20.1 / 1500 (26.9 / 1500)
Maximum bare speed rpm	1890 / 1575	
Minimum bare idling speed rpm	1250 to 1350 / 950 to 1050	
Order of firing	1-2-3	1-3-4-2
Direction of rotation	Counter-clockwise (viewed from flywheel side)	
Injection pump	Bosch Type mini pump	
Injection pressure Mpa (kgf/cm ² , psi)	13.73 (140, 1991)	
Injection timing (Before T.D.C.)	0.253 rad (14.5°)	0.279 rad (16°)
Compression ratio	23	
Fuel	Diesel Fuel No.2-D (ASTM D975)	
Lubricant (API classification)	above CF grade	
Dimension mm (in.) (length × width × height)	605.6 × 482 × 643.5 (23.84 × 18.98 × 25.33)	700.6 × 482 × 635.7 (27.58 × 18.98 × 25.03)
Dry weight kg (lbs.)	170 (374.8)	202 (445.3)
Starting system	Cell starter (with glow plug)	
Starting motor	12 V, 1.4 kW	
Charging generator	12 V, 480 W	
Recommended battery capacity	12 V, 70 to 80 AH	12 V, 100 to 120 AH

NOTE :

- Flywheel type is SAE clutch No. 7-1/2 or its equivalent.
- Flywheel housing type is SAE No. 4 or its equivalent.
- Governor drop is within 5%.
- Continuous will operate at the stated rating continuously and have a 10% overload capability for one hour in 12 hours.
- Standby will operate at the stated full rating for one hour in 12 hours. No overload capacity is specified for this rating.
- Specifications are subject to change without notice.

Model	V2607-DI-T-E	V3307-DI-T-E
Type	Vertical, water-cooled, 4-cycle diesel engine	
Number of cylinders	4	
Bore and stroke mm (in.)	87 × 110 (3.43 × 4.33)	94 × 120 (3.70 × 4.72)
Total displacement L (cu.in.)	2.615 (160.04)	3.331 (203.27)
Combustion type	Direct Injection Type (E-CDIS)	
SAE NET Intermittent kW / rpm H.P. (SAEJ1349) (HP / rpm)	49.2 / 2700 (66.0 / 2700)	53.7 / 2600 (73.0 / 2600)
SAE NET Continuous kW / rpm H.P. (SAEJ1349) (HP / rpm)	42.7 / 2700 (57.2 / 2700)	45.6 / 2600 (62.1 / 2600)
Maximum bare speed rpm	2900	2800
Maximum bare idling speed rpm	825 to 875	775 to 825
Order of firing	1-3-4-2	
Direction of rotation	Counter-clockwise (viewed from flywheel side)	
Injection pump	Bosch Type mini pump	
Injection pressure	1st opening pressure 18.63 Mpa (190 kgf/cm ²) 2nd opening pressure 21.57 Mpa (220 kgf/cm ²)	1st opening pressure 18.63 Mpa (190 kgf/cm ²) 2nd opening pressure 22.56 Mpa (230 kgf/cm ²)
Injection timing (T.D.C.)	-0.022 rad (-1.25°)	0.023 rad (1.3°)
Compression ratio	19.0	20.0
Fuel	Diesel Fuel No.2-D	
Lubricant (API classification)	above CF grade	
Dimension mm (in.) (length × width × height)	650 × 475 × 680 (25.6 × 18.7 × 26.8)	674 × 506 × 739 (26.5 × 19.9 × 29.1)
Dry weight (BB Spec.) kg (lbs.)	235 (518)	268 (591)
Starting system	Cell starter (with glow plug)	
Starting motor	12 V 2.5 kW	12 V 3.0 kW
Charging generator	12 V 720 W	12 V 720 W
Recommended battery capacity	12 V 92 Ah	12 V 108 Ah

NOTE :

- Specifications are subject to change without notice.

Model		V3300-E	V3300-TE
Type		Vertical, water-cooled, 4-cycle diesel	
Number of cylinders		4	
Bore and stroke	mm (in.)	98 × 110 (3.86 × 4.33)	
Total displacement	L (cu.in.)	3.318 (202.49)	
Combustion type		Spherical type (E-TVCS)	
SAE NET Intermittent			
H.P. (SAE J1349)	kW / rpm (HP / rpm)	50.5 / 2600 (67.7 / 2600)	61.5 / 2600 (82.4 / 2600)
SAE NET Continuous			
H.P. (SAE J1349)	kW / rpm (HP / rpm)	43.9 / 2600 (58.8 / 2600)	53.4 / 2600 (71.6 / 2600)
SAE Standby			
H.P. (SAE J1349)	kW / rpm (HP / rpm)	---	---
Maximum bare speed	rpm	2800	
Minimum bare idling speed	rpm	700 to 750	
Order of firing		1-3-4-2	
Direction of rotation		Counter-clockwise (viewed from flywheel side)	
Injection pump		Bosch type mini pump	
Injection pressure	Mpa (kgf/cm ² , psi)	13.73 (140, 1991)	
Injection timing	(Before T.D.C.)	0.28 rad (16°)	
Compression ratio		22.6	21.8
Fuel		Diesel fuel oil No.2-D	
Lubricant (API classification)		above CF grade	
Dimensions (length × width × height)	mm (in.)	743 × 536 × 759 (29.25 × 21.10 × 29.88)	743 × 538 × 793 (29.25 × 21.18 × 31.22)
Dry weight	kg (lbs.)	241 (531)	250 (551)
Starting system		Cell starter (with glow plug)	
Starting motor		12 V 2.5 kW	
Charging generator		12 V 540 W	
Recommended battery capacity		12 V, 112 AH (400 CCA or higher) 0°F (-17.8°C) SAE rating	

NOTE :

- Specifications are subject to change without notice.

Model		V3300-DI-E	V3300-DI-TE
Type		Vertical, water-cooled, 4-cycle diesel	
Number of cylinders		4	
Bore and stroke	mm (in.)	98 × 110 (3.86 × 4.33)	
Total displacement	L (cu.in.)	3.318 (202.49)	
Combustion type		Direct injection type (E-CDIS)	
SAE NET Intermittent			
H.P. (SAE J1349)	kW / rpm (HP / rpm)	53.0 / 2600 (71.1 / 2600)	64.7 / 2600 (86.8 / 2600)
SAE NET Continuous			
H.P. (SAE J1349)	kW / rpm (HP / rpm)	46.0 / 2600 (61.6 / 2600)	56.2 / 2600 (75.3 / 2600)
SAE Standby			
H.P. (SAE J1349)	kW / rpm (HP / rpm)	---	---
Maximum bare speed	rpm	2800	
Minimum bare idling speed	rpm	775 to 825	
Order of firing		1-3-4-2	
Direction of rotation		Counter-clockwise (viewed from flywheel side)	
Injection pump		Bosch type mini pump	
Injection pressure	Mpa (kgf/cm ² , psi)	First opening pressure 18.63 (190, 2275) Second opening pressure 23.54 (240, 3128)	
Injection timing	(Before T.D.C.)	0.24 rad (14°)	0.23 rad (13°)
Compression ratio		19.5	18.8
Fuel		Diesel fuel oil No.2-D	
Lubricant (API classification)		above CF grade	
Dimensions (length × width × height)	mm (in.)	713 × 536 × 774 (28.07 × 20.10 × 30.47)	713 × 538 × 791 (28.07 × 21.18 × 31.14)
Dry weight	kg (lbs.)	246 (542)	255 (562)
Starting system		Cell starter (with air heater)	
Starting motor		12 V 2.5 kW	
Charging generator		12 V 540 W	
Recommended battery capacity		12 V, 112 AH (400 CCA or higher) 0°F (-17.8°C) SAE rating	

NOTE :

- Specifications are subject to change without notice.

Model		V3300-EBG	V3300-T-EBG
Type		Vertical, water-cooled, 4-cycle diesel	
Number of cylinders		4	
Bore and stroke	mm (in.)	98 × 110 (3.86 × 4.33)	
Total displacement	L (cu.in.)	3.318 (202.49)	
Combustion type		Spherical type (E-TVCS)	
SAE NET Intermittent H.P. (SAE J1349)	kW / rpm (HP / rpm)	---	
SAE NET Continuous H.P. (SAE J1349)	kW / rpm	32.1 / 1800 (43.0 / 1800)	39.2 / 1800 (52.5 / 1800)
	(HP / rpm)	26.3 / 1500 (35.3 / 1500)	32.1 / 1500 (43.0 / 1500)
SAE Standby H.P. (SAE J1349)	kW / rpm	35.3 / 1800 (47.3 / 1800)	43.1 / 1800 (57.8 / 1800)
	(HP / rpm)	28.9 / 1500 (38.8 / 1500)	35.3 / 1500 (47.3 / 1500)
Maximum bare speed	rpm	1890	
Minimum bare idling speed	rpm	750 to 800	
Order of firing		1-3-4-2	
Direction of rotation		Counter-clockwise (viewed from flywheel side)	
Injection pump		Bosch type mini pump	
Injection pressure	Mpa (kgf/cm ² , psi)	13.73 (140, 1991)	
Injection timing	(Before T.D.C.)	0.23 rad (13°)	
Compression ratio		22.6	21.8
Fuel		Diesel fuel oil No.2-D	
Lubricant (API classification)		above CF grade	
Dimensions (length × width × height)	mm (in.)	769 × 536 × 770 (30.28 × 20.10 × 30.31)	769 × 539 × 803 (30.28 × 21.22 × 31.61)
Dry weight	kg (lbs.)	276 (608)	283 (624)
Starting system		Cell starter (with glow plug)	
Starting motor		12 V 2.5 kW	
Charging generator		12 V 540 W	
Recommended battery capacity		12 V, 88 AH	

NOTE :

- Specifications are subject to change without notice.

Model		V3800-DI-E	V3800-DI-TE
Type		Vertical, water-cooled, 4-cycle diesel	
Number of cylinders		4	
Bore and stroke	mm (in.)	100 × 120 (3.94 × 4.72)	
Total displacement	L (cu.in.)	3.769 (230)	
Combustion type		Direct injection type (E-CDIS)	
SAE NET Intermittent	kW / rpm	58.8 / 2600	70.6 / 2600
H.P. (SAE J1349)	(HP / rpm)	(78.8 / 2600)	(94.6 / 2600)
SAE NET Continuous	kW / rpm	51.1 / 2600	61.3 / 2600
H.P. (SAE J1349)	(HP / rpm)	(68.5 / 2600)	(82.2 / 2600)
SAE Standby	kW / rpm	---	
H.P. (SAE J1349)	(HP / rpm)		
Maximum bare speed	rpm	2800	
Minimum bare idling speed	rpm	775 to 825	
Order of firing		1-3-4-2	
Direction of rotation		Counter-clockwise (viewed from flywheel side)	
Injection pump		Bosch type mini pump	
Injection pressure	Mpa (kgf/cm ² , psi)	First opening pressure 18.63 (190, 2702) Second opening pressure 23.54 (240, 3414)	
Injection timing	(Before T.D.C.)	0.23 rad (13°)	
Compression ratio		20.0	19.0
Fuel		Diesel fuel oil No.2-D	
Lubricant (API classification)		above CF grade	
Dimensions (length × width × height)	mm (in.)	713 × 536 × 774 (28.07 × 20.10 × 30.47)	698 × 549 × 791 (27.48 × 21.61 × 31.14)
Dry weight	kg (lbs.)	248	257
Starting system		Cell starter (with air heater)	
Starting motor		12 V 3.0 kW	
Charging generator		12 V 540 W	
Recommended battery capacity		12 V, 136 AH	

NOTE :

- Specifications are subject to change without notice.

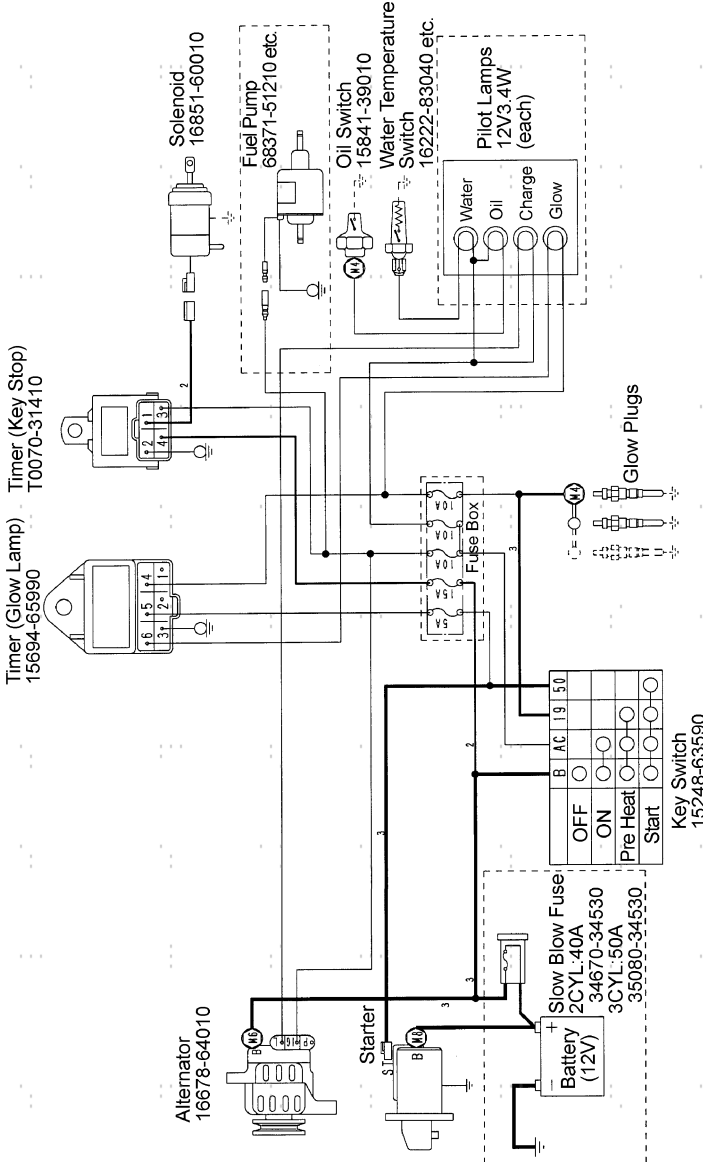
FOR EBG or T-EBG type

NOTE :

- Flywheel type is SAE clutch No.11-1/2, SAE clutch No.10 or its equivalent.
- Flywheel housing type is SAE No.3 or its equivalent.
- Governor drop is within 5%.
- Continuous will operate at the stated rating continuously and have a 10% overload capability for one hour in 12 hours.
- Standby will operate at the stated full rating for one hour in 12 hours. No overload capacity is specified for this rating.

WIRING DIAGRAMS

■ Z482-E, Z602-E, D722-E, D902-E
 EU standard for Alternator (Energize to stop)

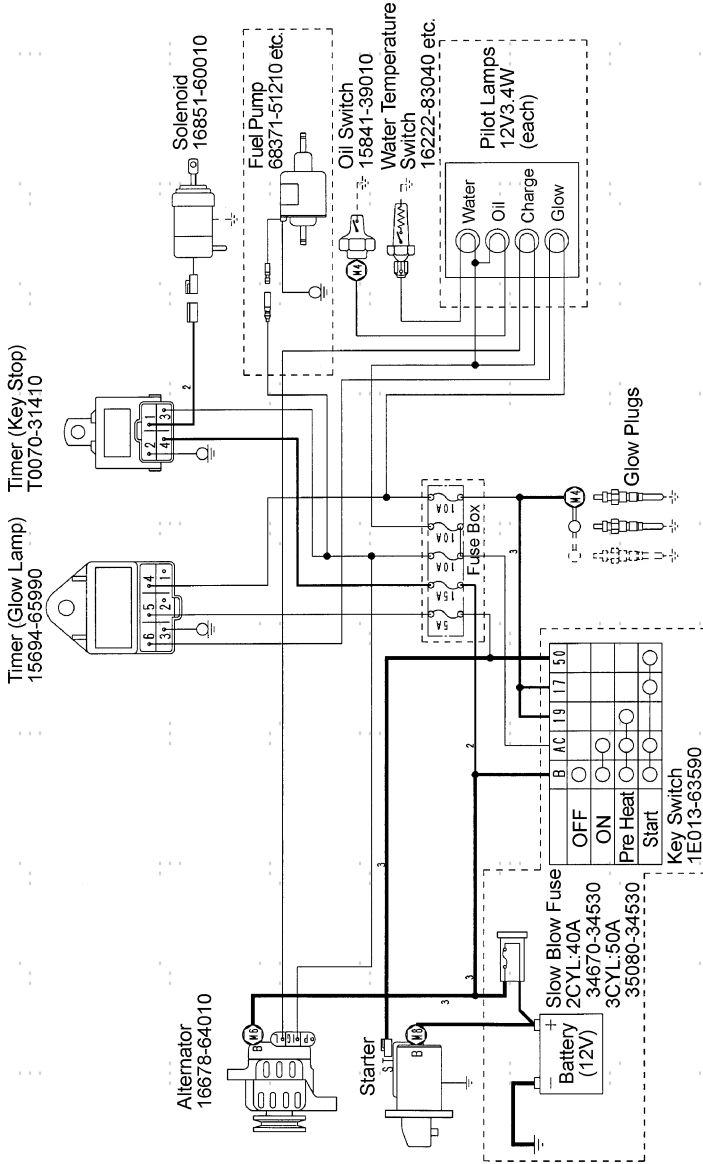


*The parts boxed in [] are reference, NOT equipped for standard engine spec.
 *Use wire size 0.5 ~ 0.85 mm² with no mark.

1ABAAAAAP151A

KEA standard for Alternator (Energize to stop)

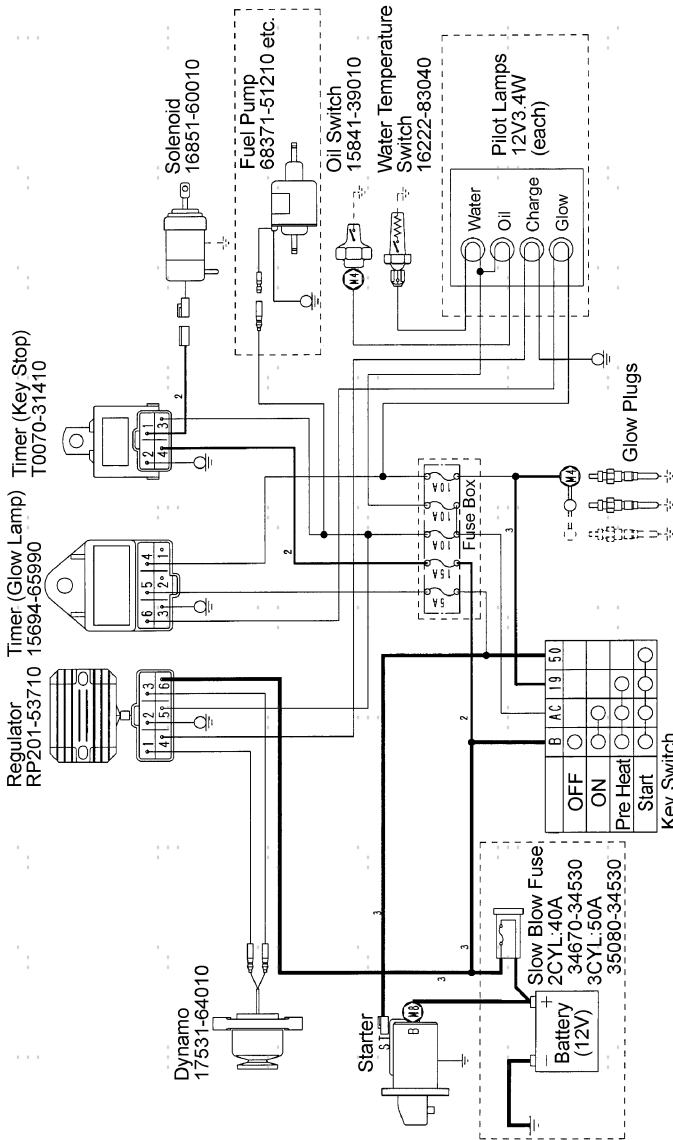
ENGLISH



*The parts boxed in [] are reference. NOT equipped for standard engine spec.
*Use wire size 0.5 ~ 0.85 mm² with no mark.

1ABAAAAAP152A

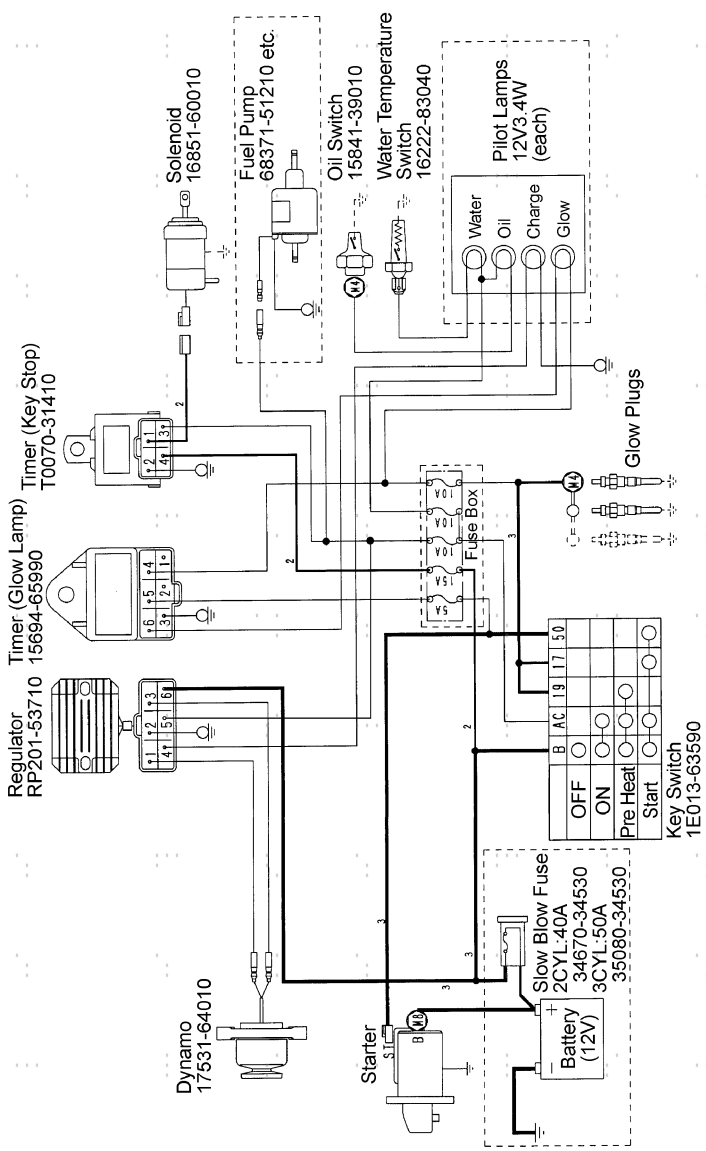
EU standard for Dynamo (Energize to stop)



1A8AAAAAP153A

*The parts boxed in [] are reference, NOT equipped for standard engine spec.
*Use wire size 0.5 ~ 0.85 mm² with no mark.

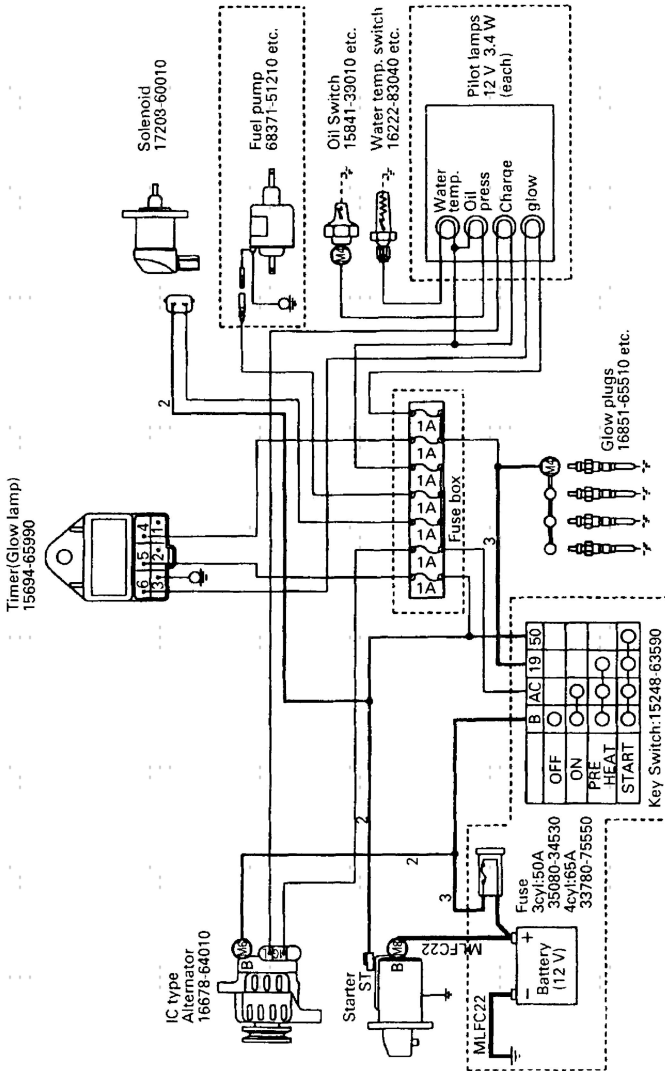
KEA standard for Dynamo (Energize to stop)



1ABAAAAAP154A

■ D1005-E, D1105-E, V1305-E, V1505-E, V1505-TE

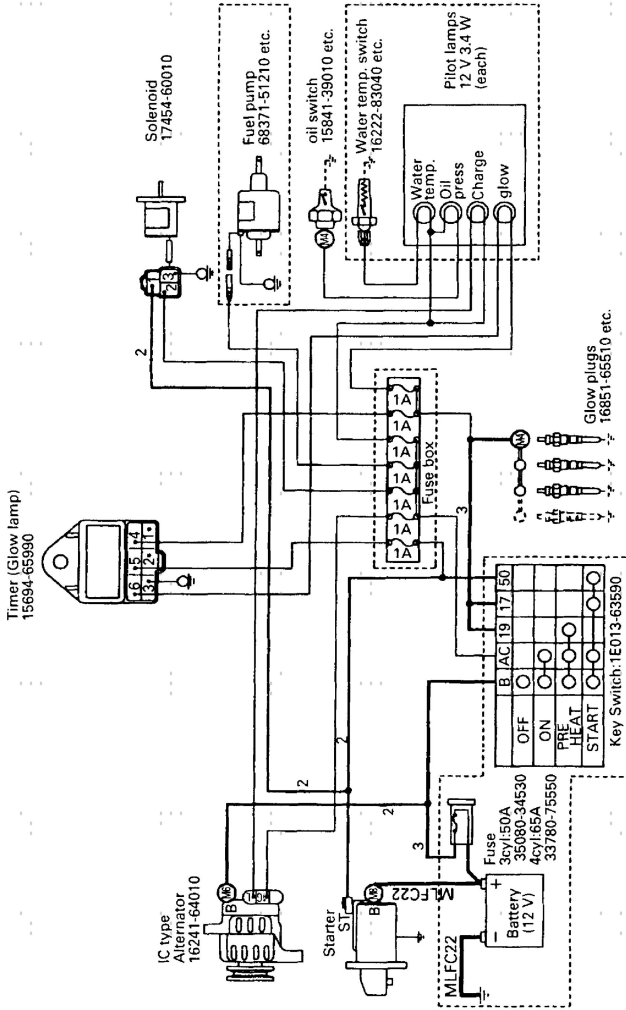
EU standard
(Energize to run)



★ The parts boxed in are reference, NOT equipped for standard engine spec.
 ★ Non marked wire dia. is 0.8~1.25 mm².

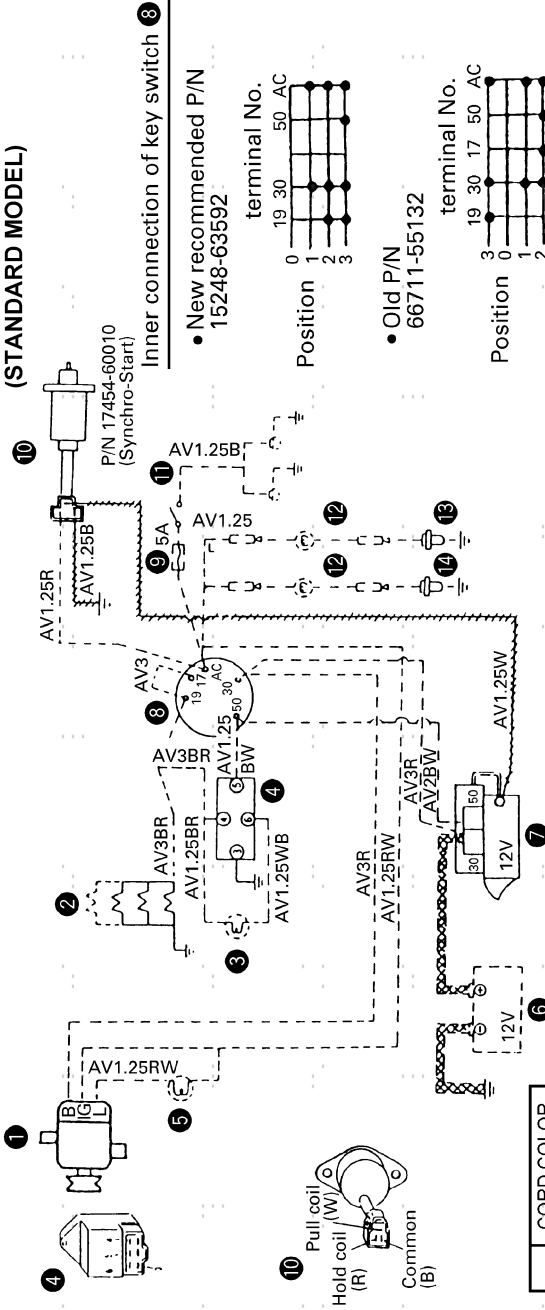
KEA/SAE standard
(Energize to run)

ENGLISH



★ The parts boxed in are reference, NOT equipped for standard engine spec.
 ★ Non marked wire dia. is 0.8~1.25 mm².

■ D905-EBG, D1005-EBG, D1105-EBG, V1305-EBG, V1505-EBG



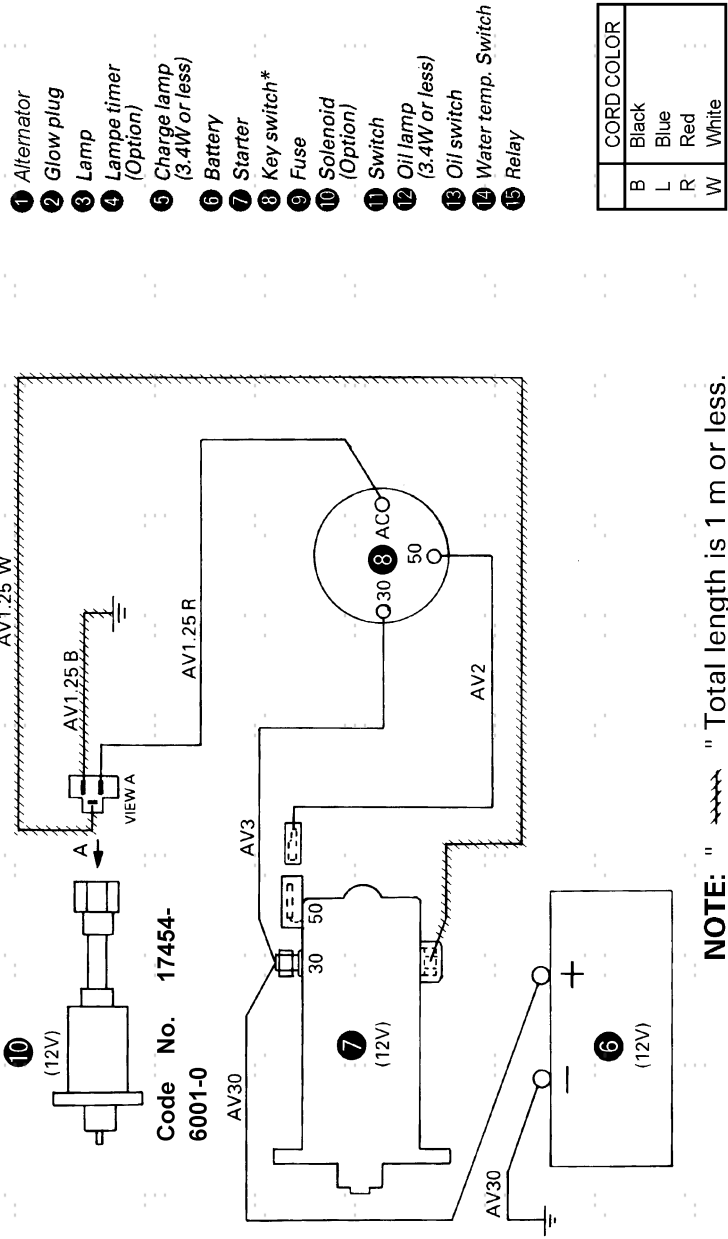
NOTE: Solenoid. Energize to run.

NOTE: " " Total length is 1 m or less.

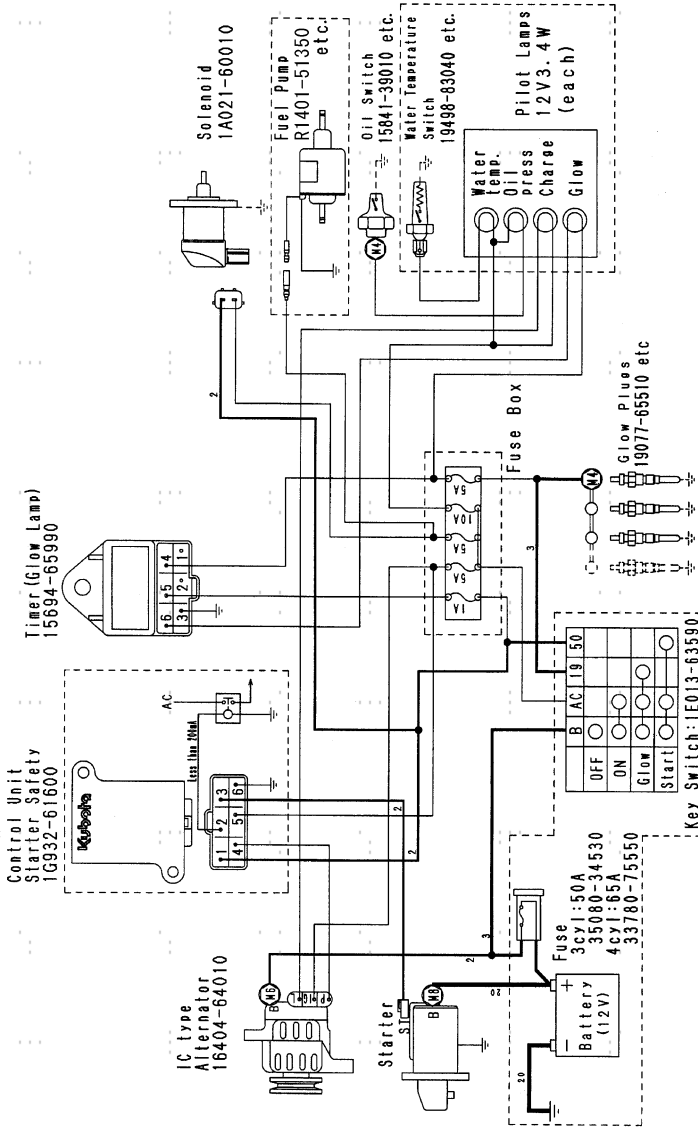
- 1 Alternator
- 2 Glow plug
- 3 Lamp
- 4 Lampe timer (Option)
- 5 Charge lamp (3.4W or less)
- 6 Battery
- 7 Starter
- 8 Key switch*
- 9 Fuse
- 10 Solenoid (Option)
- 11 Switch
- 12 Oil lamp (3.4W or less)
- 13 Oil switch
- 14 Water temp. Switch
- 15 Relay

Option Solenoid Energize to run

ENGLISH



■ D1503-M-E, D1703-M-E, D1803-M-E, V2003-M-E, V2203-M-E, V2003-M-T-E, V2403-M-E, D1503-M-DI-E, D1703-M-DI-E, D1803-M-DI-E, V2203-M-DI-E, V2003-M-DI-T-E, V2403-M-DI-E, V2403-M-DI-T-E

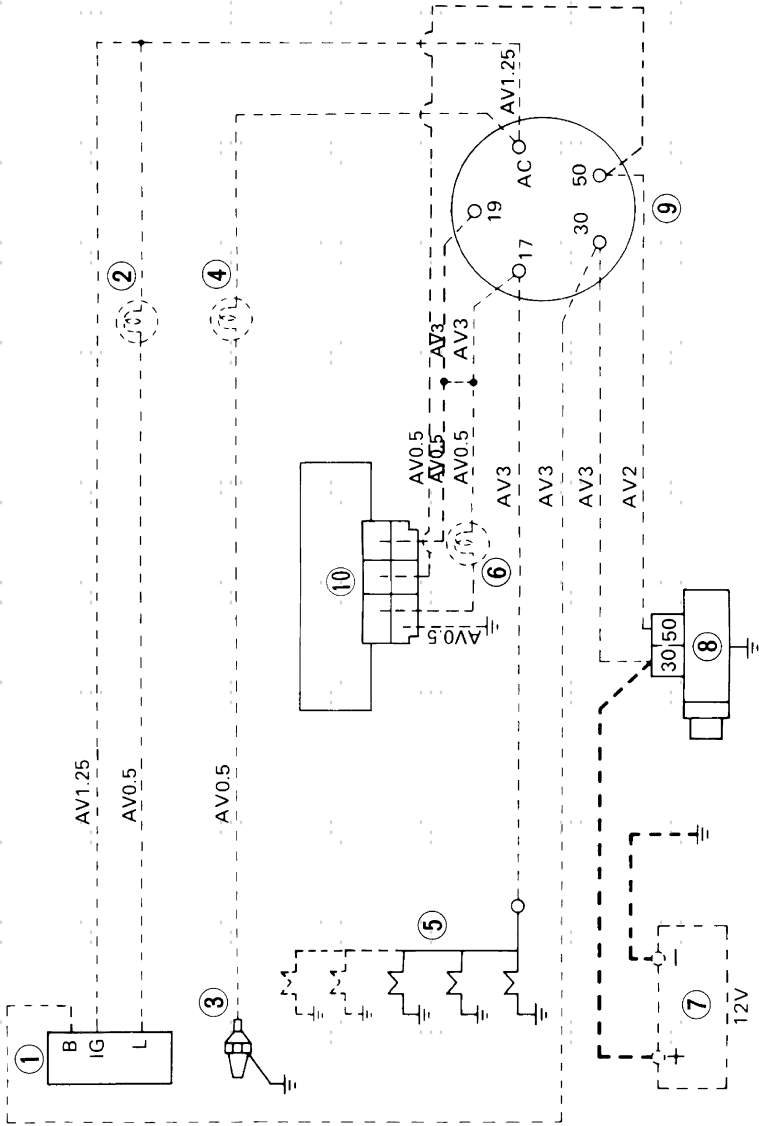


1ABACAAA0P067A

★ The parts boxed in [] are reference, NOT equipped for standard engine spec.
 ★ Non marked wire dia. is 0.8 ~ 1.25 mm².

■D1703-EBG, V2203-EBG

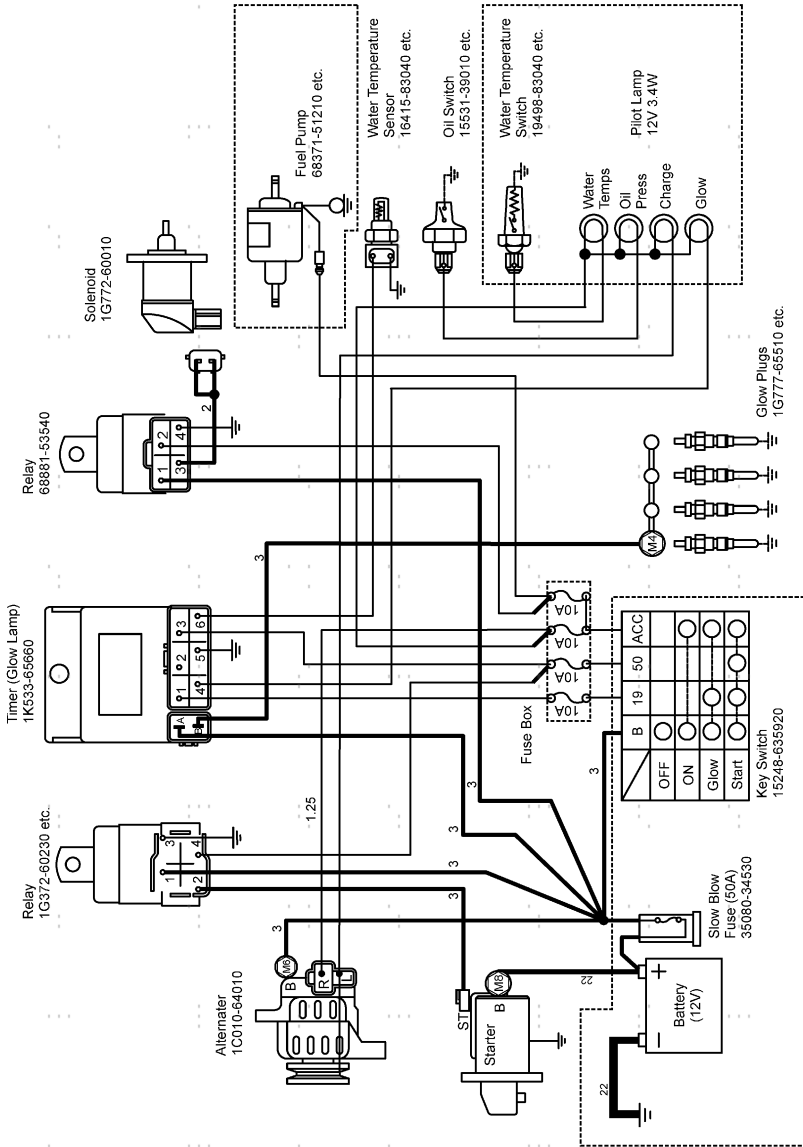
ENGLISH



- (1) Alternator (Built-in IC Regulator)
- (2) Charge Lamp (3.4W or less)
- (3) Oil Lamp (3.4W or less)
- (4) Oil Lamp (3.4W or less)
- (5) Glow Plug
- (6) Glow Lamp (3.4W or less)
- (7) Battery
- (8) Starter
- (9) Key Switch
- (10) Lamp Timer

1ABACAAAP065A

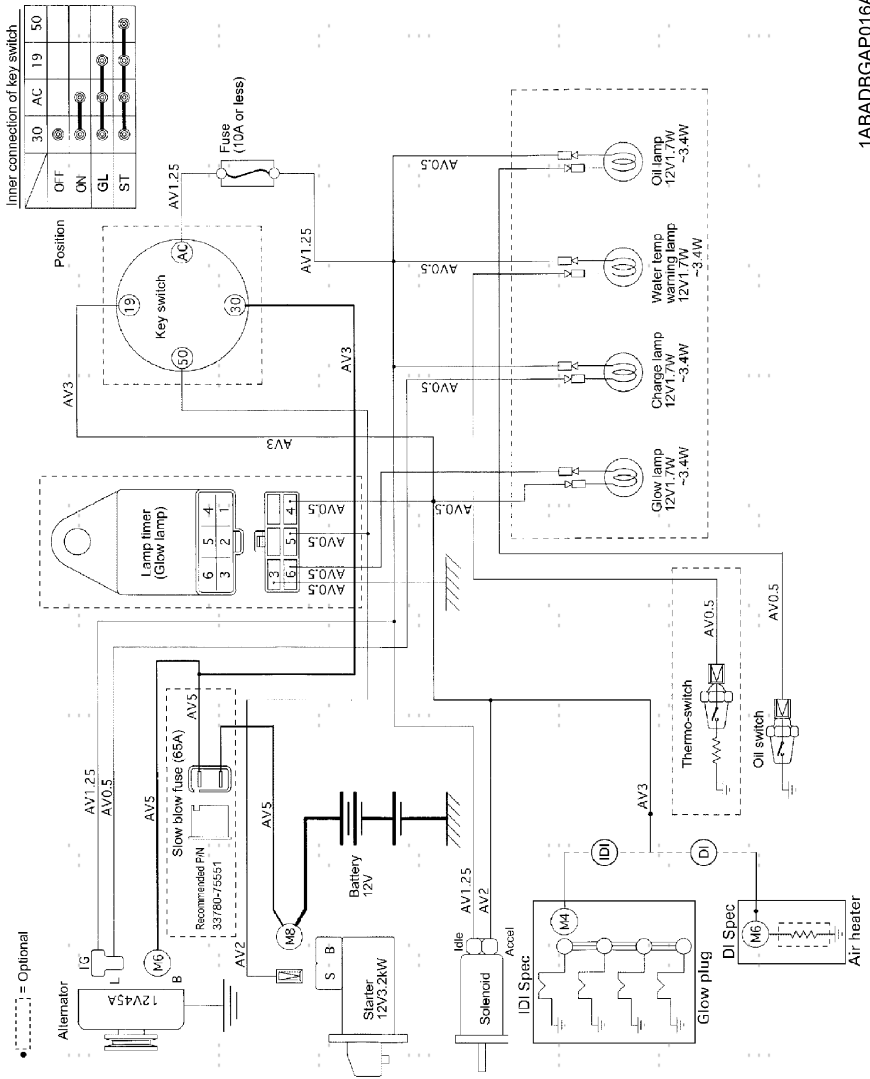
■V2607-DI-T-E, V3307-DI-T-E



1ABAHAAAP007G

■ V3300-E, V3300-TE, V3300-DI-E, V3300-DI-TE, V3300-EBG, V3300-T-EBG, V3800-DI-E, V3800-DI-TE

ENGLISH



1ABADBAP016A